

SwitchBot Roller Shade

User Manual

Please read this user manual carefully before using your device.

Scannen Sie den QR-Code, um die deutsche Version unseres Benutzerhandbuchs zu erhalten.
 Scannez le code QR pour obtenir notre manuel d'utilisation en version française.
 Escanee el código QR para obtener la versión en español de nuestro manual de usuario.
 Scan de QR code voor de Nederlandse versie van onze gebruikershandleiding.
 Scansionate il codice QR per ottenere la versione italiana del nostro manuale d'uso.
<https://www.switch-bot.com/pages/switchbot-user-manual>



User Manual

Preparation

You will need:

- A smartphone or tablet using Bluetooth 4.2 or later.
- The latest version of our app, downloadable via the Apple App Store or Google Play Store.
- A SwitchBot account, you can register via our app or sign in to your account directly if you already have one.

Please note: If you intend to use third-party services such as Alexa, you will need a SwitchBot Hub (sold separately).

Download on the App Store



GET IT ON Google Play



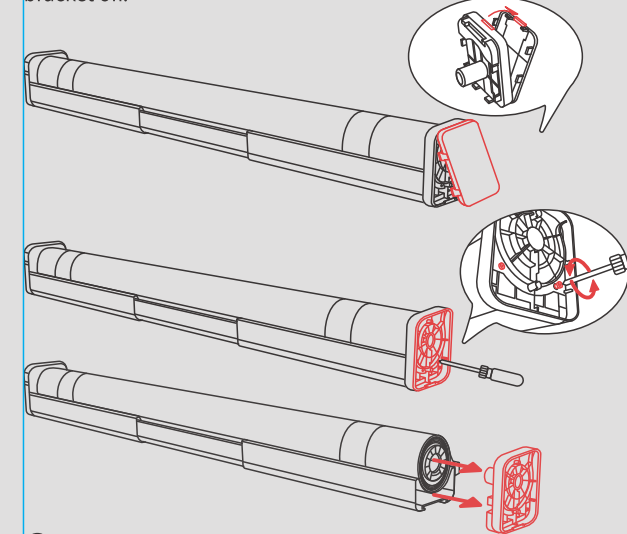
iOS and Android system requirements:

<https://support.switch-bot.com/hc/en-us/articles/12567397397271>

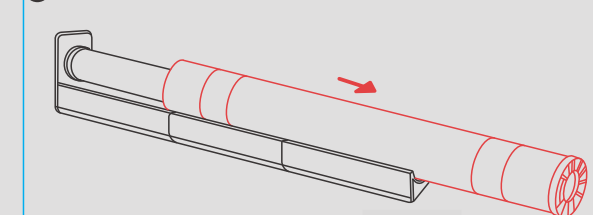


A Outside window frame

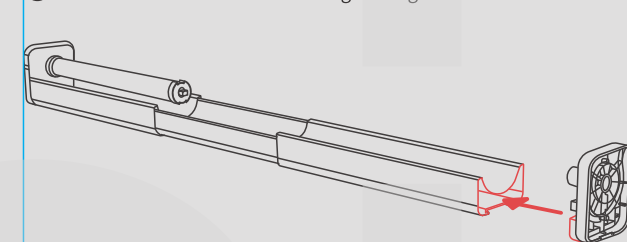
1 Remove the End Bracket cover, then unscrew and take the bracket off.



2 Remove the Fabric Roll.

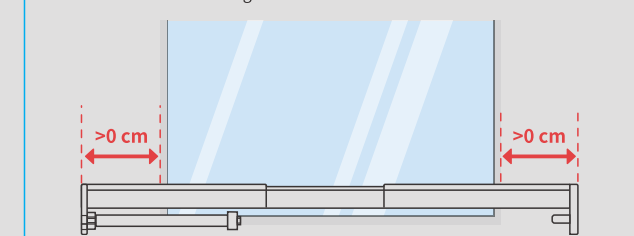


3 Install the End Bracket without tightening the screws.

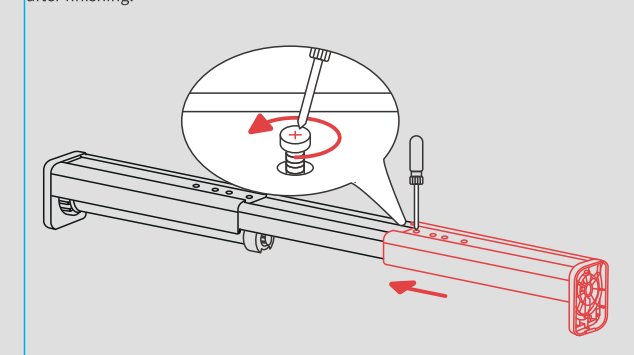


4 Determine whether the Headrail needs resizing according to the width of your window.

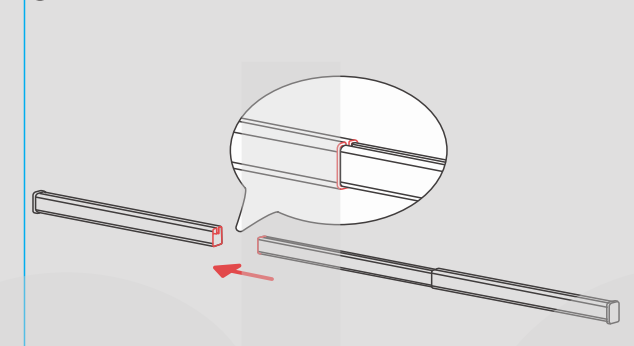
Tips: You're advised to reserve a margin larger than or equal to 2.5 cm (0.9 in.) on both sides for a better shading effect.



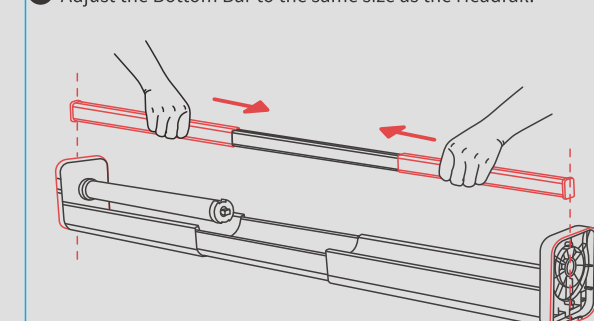
Note: Partially loosen the Headrail adjustment screws to adjust and then tighten them after finishing.



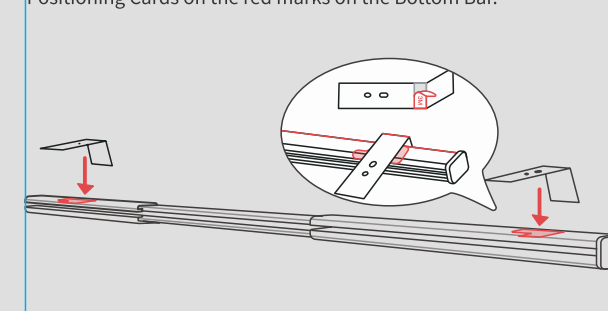
5 Assemble the Bottom Bar as shown.



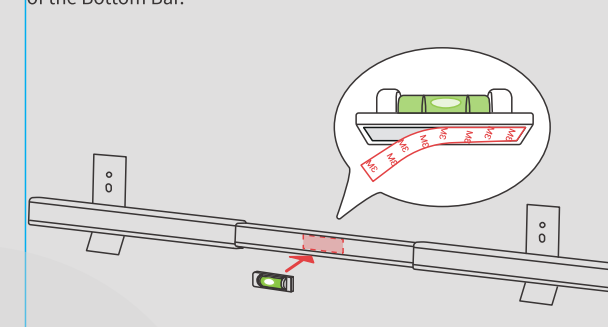
6 Adjust the Bottom Bar to the same size as the Headrail.



7 Find the Positioning Cards and peel off the tape liner. Attach the Positioning Cards on the red marks on the Bottom Bar.

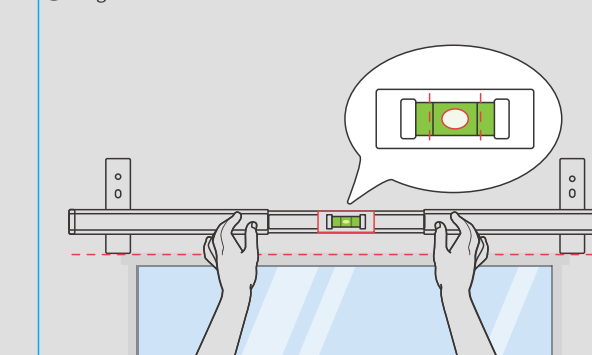


8 Find the Level-Meter, remove the tape liner, and attach it to the middle of the Bottom Bar.

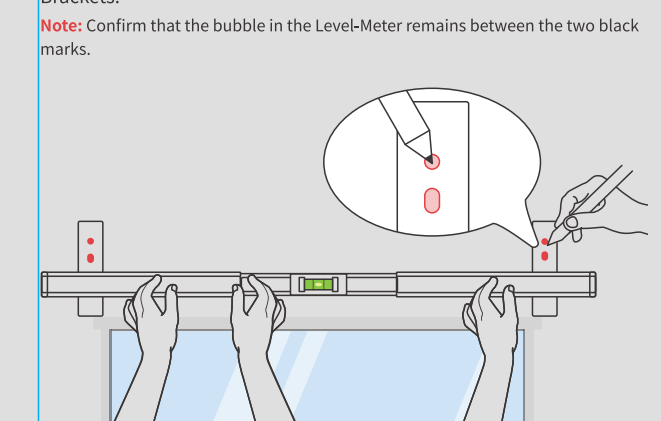


Determine the positions of Mounting Brackets.

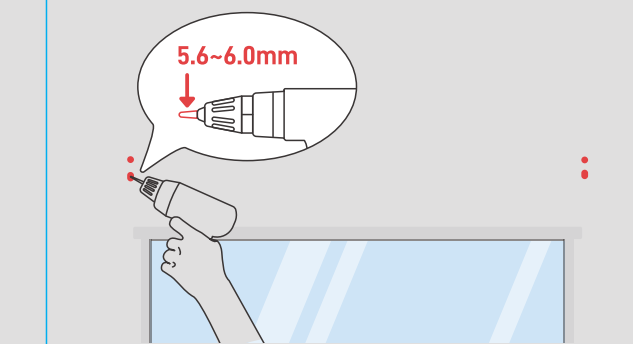
1 Align the Bottom Bar as shown.



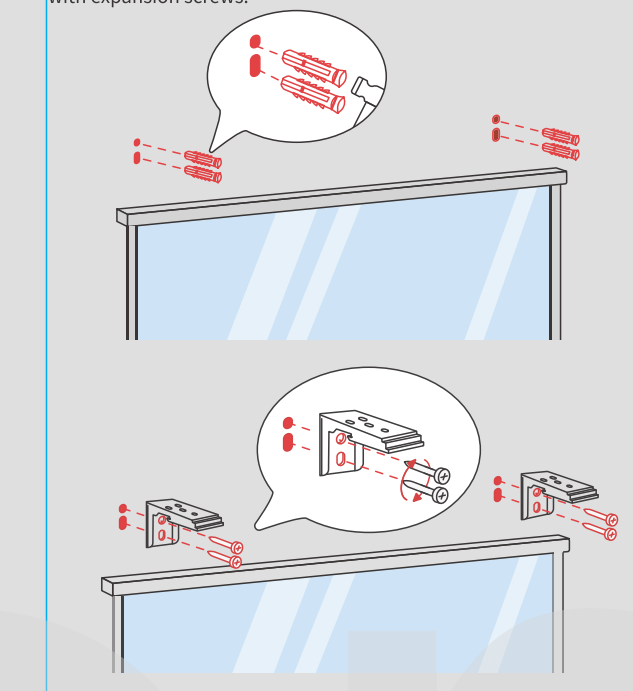
2 Keep the Bottom Bar level and mark the positions of your Mounting Brackets.



3 Drill four holes with a depth of more than 3 cm (1.2 in.). Drill bit size: 5.6 to 6 mm (0.22 to 0.23 in.).

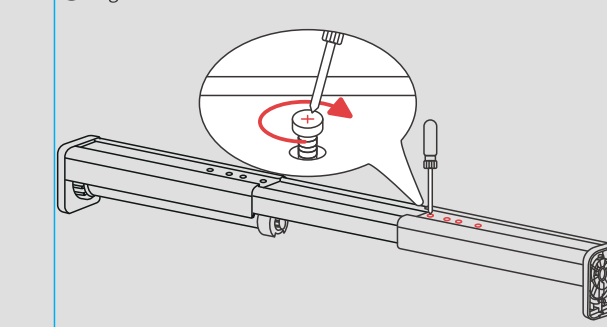


4 Use a hammer to install anchors and secure the Mounting Brackets with expansion screws.

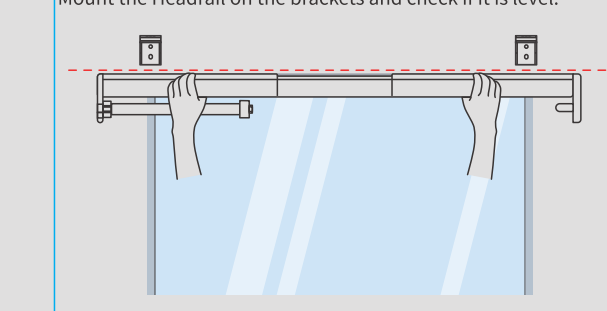


Check if the Headrail can be properly installed.

1 Tighten all screws on the Headrail.

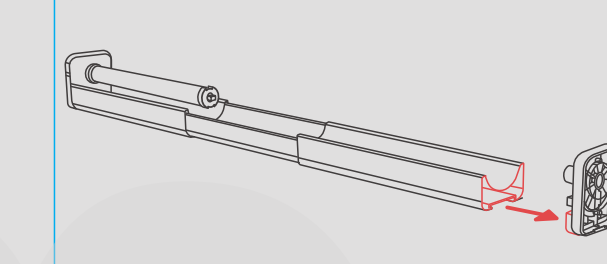


2 Align the Headrail with the brackets and check if they match. Mount the Headrail on the brackets and check if it is level.

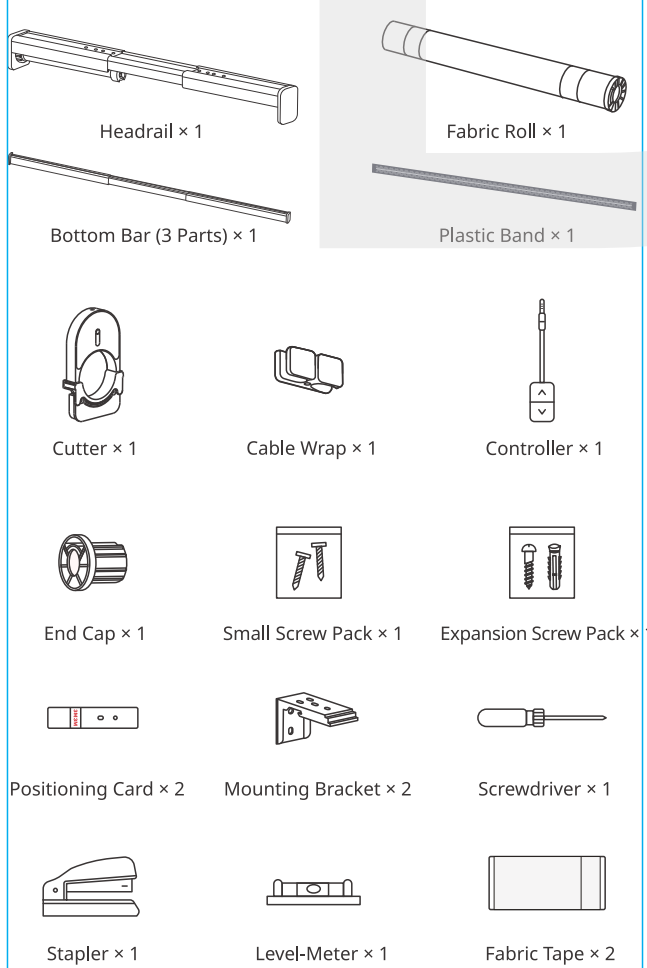


Note: An uneven Headrail may affect motor rolling, disrupting the fabric cutting process.

3 Remove the Headrail and End Bracket from it.

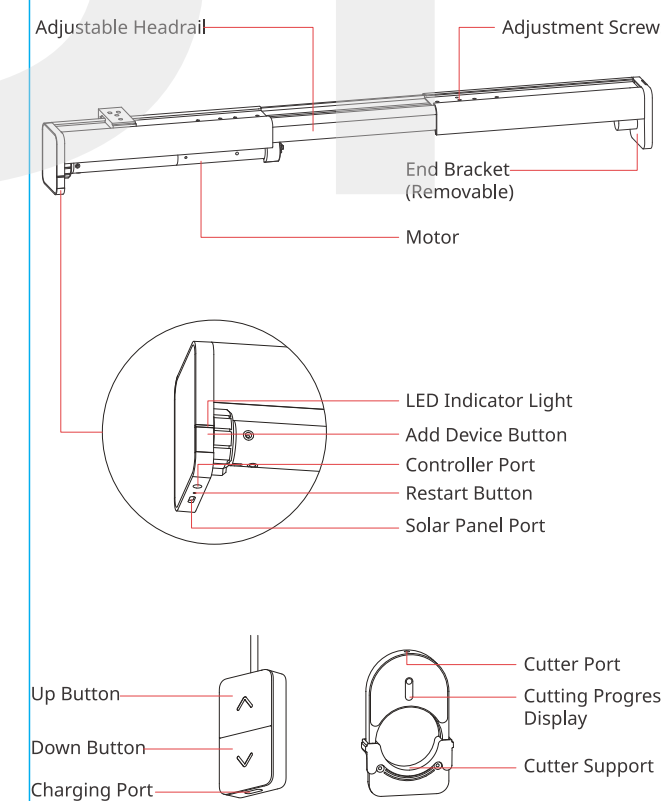


Package Contents



www.switch-bot.com
V1.0-2409

List of Components



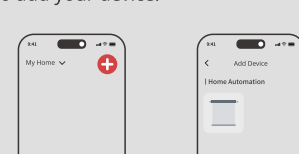
Installation

Scan the QR code to check the installation video.



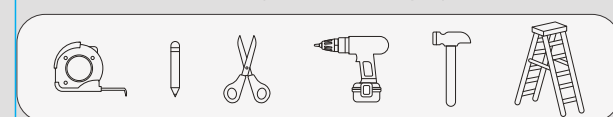
Step 1: Add your Roller Shade to our app

Open our app and sign in. Tap the "+" icon in the top right-hand corner of the home page, choose Add Device, select the Roller Shade icon, and follow the prompts to add your device.



Step 2: Check package contents and prepare tools

Tools: electric drill, scissors, pencil, measuring tape, hammer, ladder



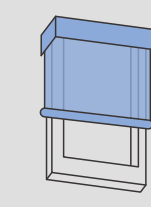
Recommended number of personnel: 2 to 3

Duration: 30 to 40 minutes

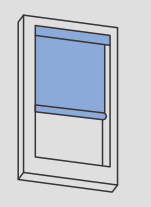
Step 3: Adjust Headrail & install mounting brackets

Determine the installation mode.

A

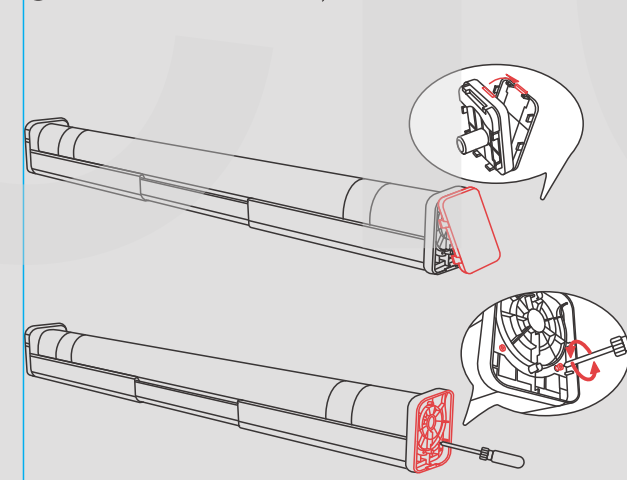


B

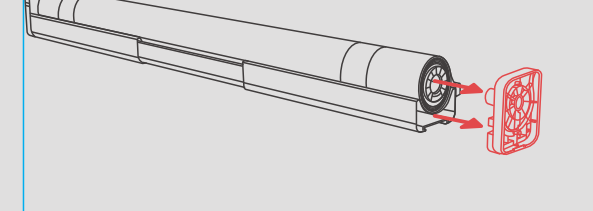


B Inside window frame

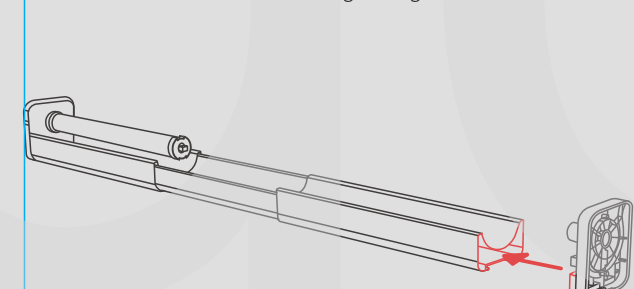
1 Remove the End Bracket cover, then unscrew and take the bracket off.



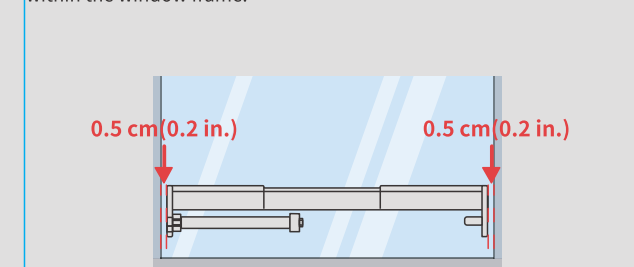
2 Remove the Fabric Roll.



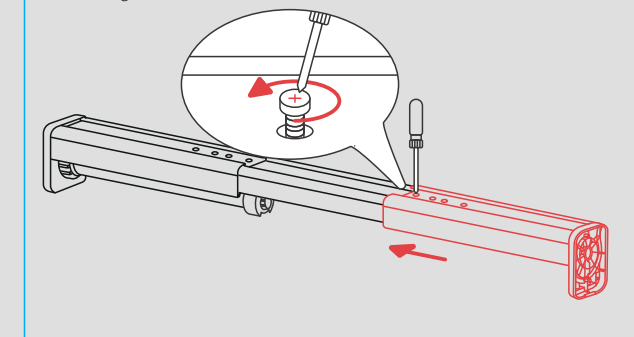
3 Install the End Bracket without tightening the screws.



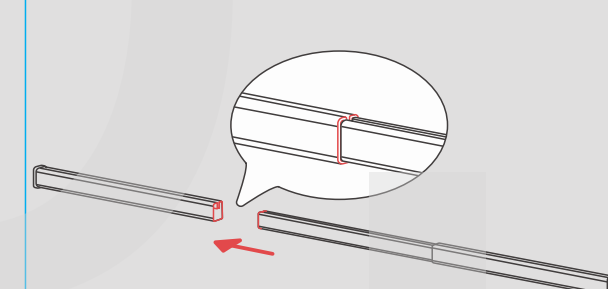
4 Adjust the Headrail and make sure the two ends are 0.5 cm (0.2 in.) within the window frame.



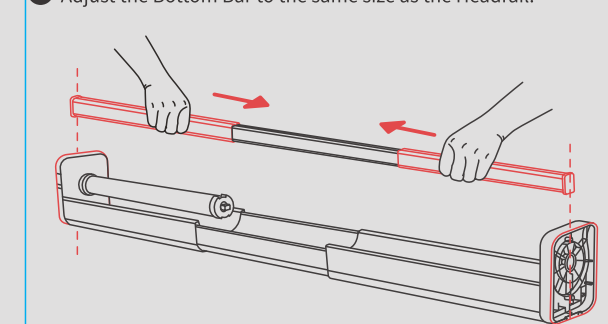
Note: Partially loosen the Headrail adjustment screws to adjust and then tighten them after finishing.



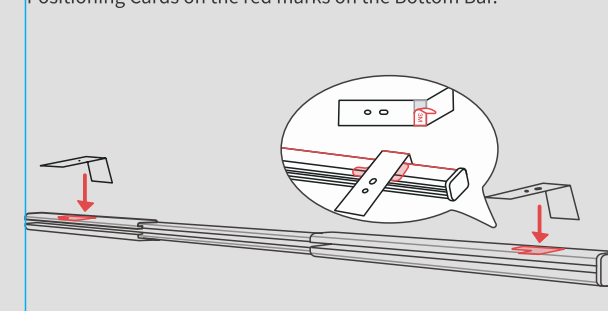
5 Assemble the Bottom Bar as shown.



6 Adjust the Bottom Bar to the same size as the Headrail.

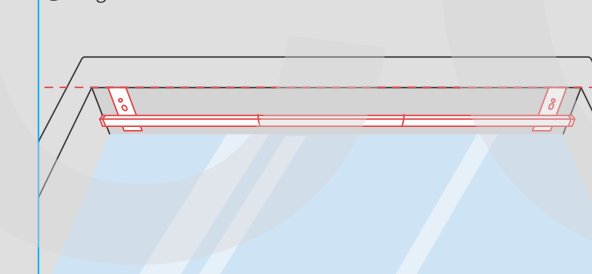


7 Find the Positioning Cards and peel off the tape liner. Attach the Positioning Cards on the red marks on the Bottom Bar.

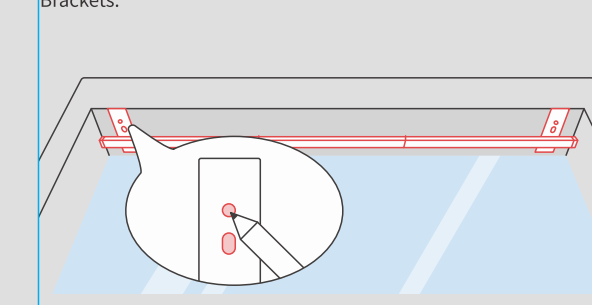


Determine the positions of Mounting Brackets.

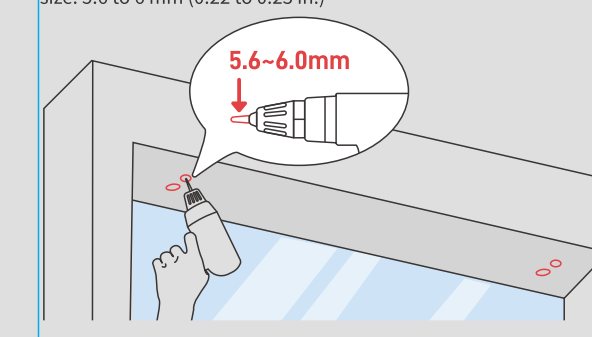
1 Align the Bottom Bar as shown.



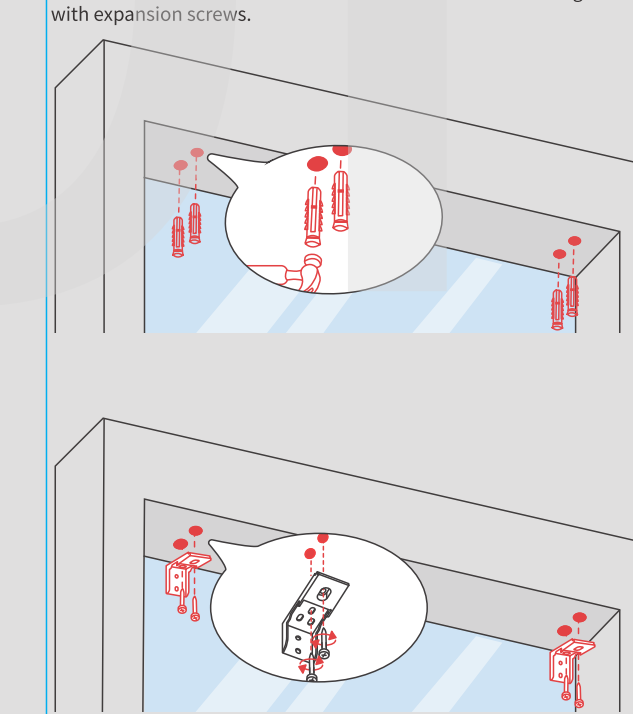
2 Keep the Bottom Bar level and mark the positions of your Mounting Brackets.



3 Drill four holes with a depth of more than 3 cm (1.2 in.). Drill bit size: 5.6 to 6 mm (0.22 to 0.23 in.).

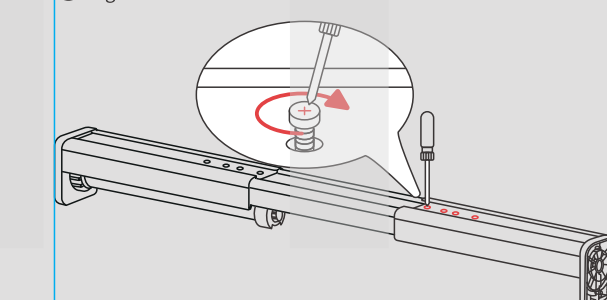


4 Use a hammer to install anchors and secure the Mounting Brackets with expansion screws.

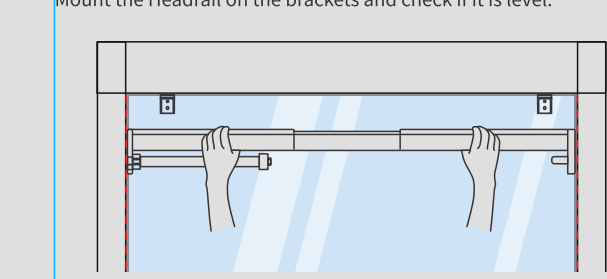


Check if the Headrail can be properly installed.

1 Tighten all screws on the Headrail.

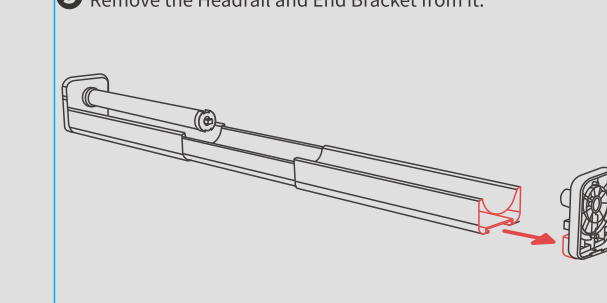


2 Align the Headrail with the brackets and check if they match. Mount the Headrail on the brackets and check if it is level.

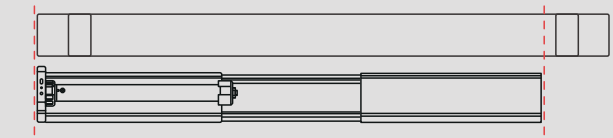


Note: An uneven Headrail may affect motor rolling, disrupting the fabric cutting process.

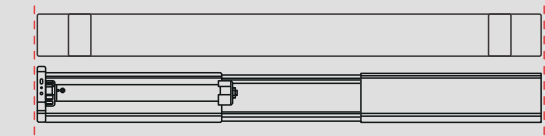
3 Remove the Headrail and End Bracket from it.



Step 4: Determine whether the fabric needs to be cut.



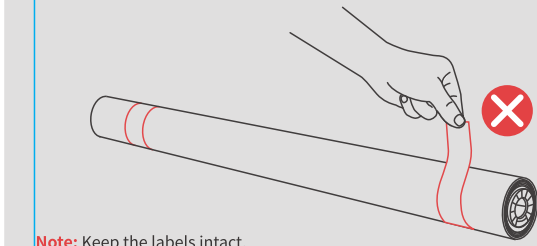
Cut the extra fabric if the Headrail is resized.



Skip Steps 5 and 6 if you haven't resized the Headrail.

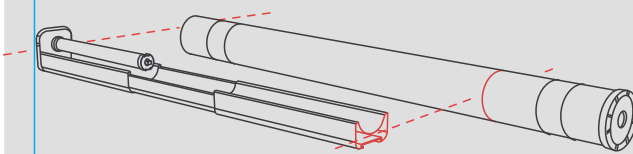
Step 5: Resize the fabric.

Preparation

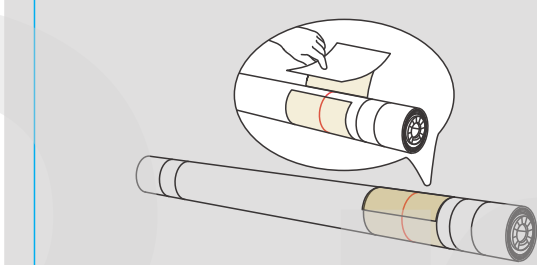


Note: Keep the labels intact.

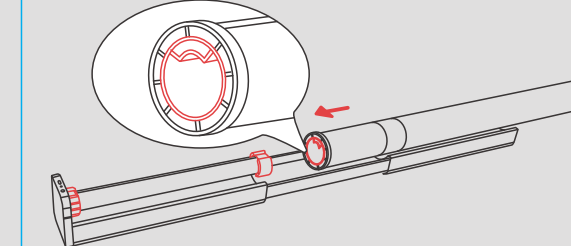
1 Determine the cutting position on the Fabric Roll according to the Headrail's size.



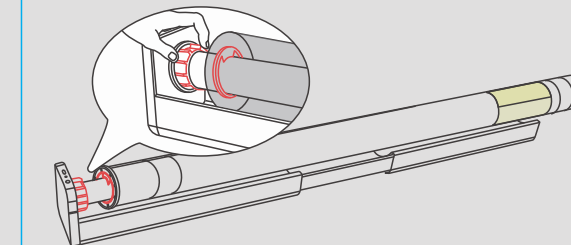
2 Securely wrap the Fabric Tape around the cutting position to prevent the fabric from shifting during the cutting process.



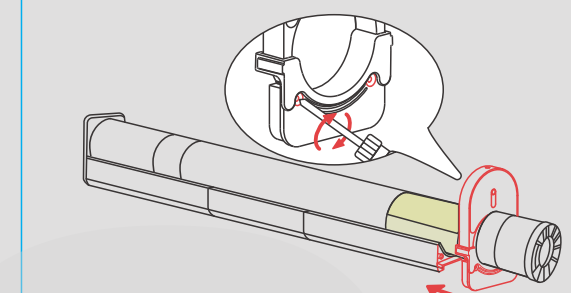
3 Route the Fabric Roll onto the Headrail until it is in place.



Note: Adjust the indicated parts so the Fabric Roll can slide in position.



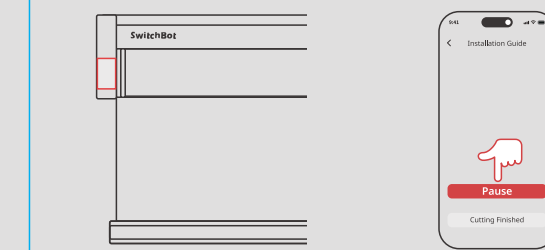
4 Install the Cutter and secure the screws.



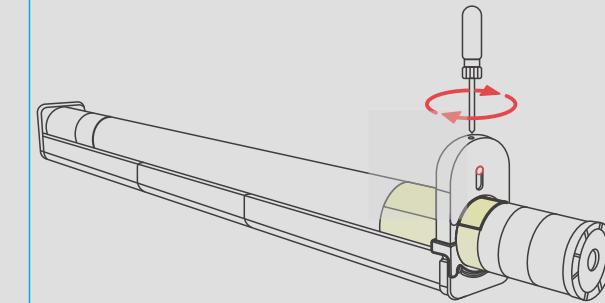
Start cutting fabric

1 Enter the fabric cutting page via the app.

During fabric cutting, your Roller Shade will roll at a constant speed. In case of emergency, press the Add Device button on the device or tap Pause in our app to stop the operation.



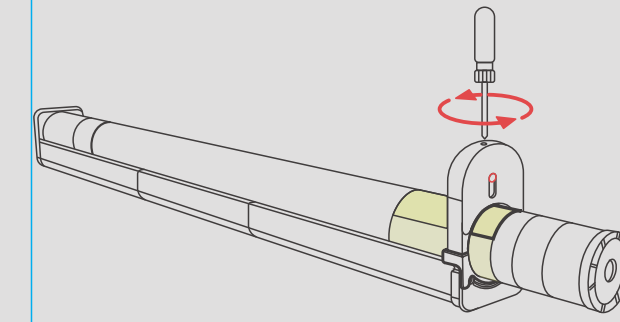
2 Place the Headrail as shown. Tap Start via our app to start the motor. Then insert a screwdriver in the top port and rotate clockwise.



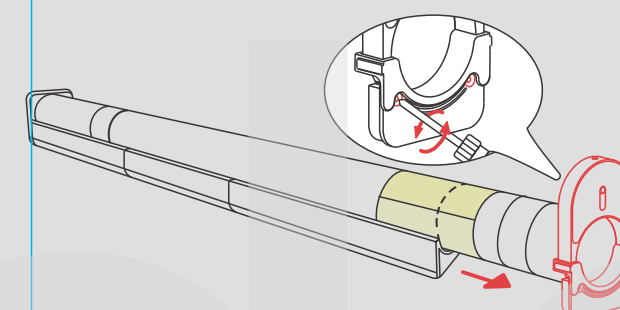
3 Stop rotating the screwdriver if you see the indicator moves to the other end from the Progress Display.



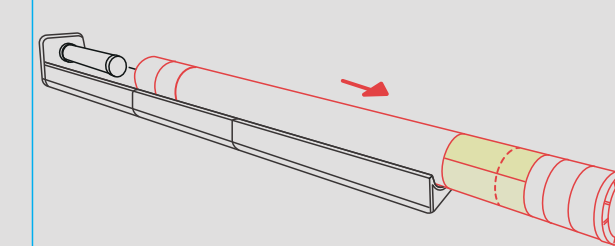
4 Rotate your screwdriver counterclockwise until the indicator moves to its original position.



5 Remove the Cutter.



6 Remove the Fabric Roll.

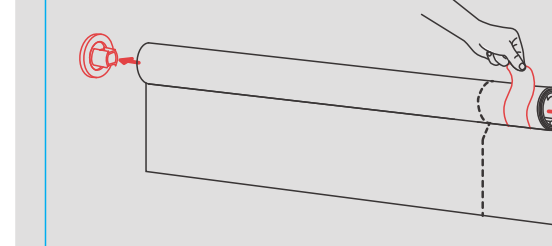
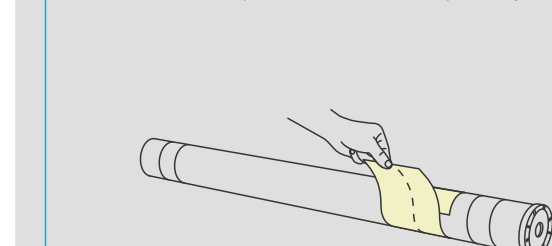


Note: If you need to resize fabric again, please scan the QR code and check the video.



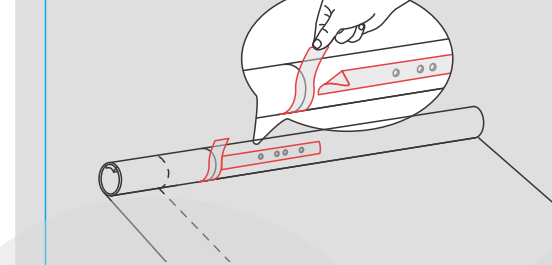
Step 6: Adjust the resized Fabric Roll.

1 Remove the end caps, labels, and Fabric Tape (if any).

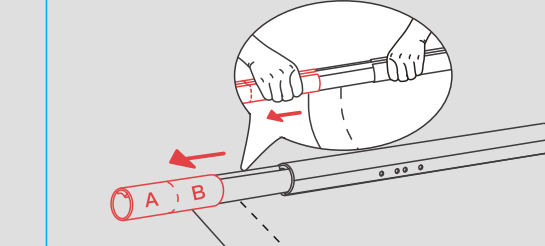


2 Spread the fabric flat and remove the tape.

Note: You can cut extra fabric later.



3 Remove the plastic tube.

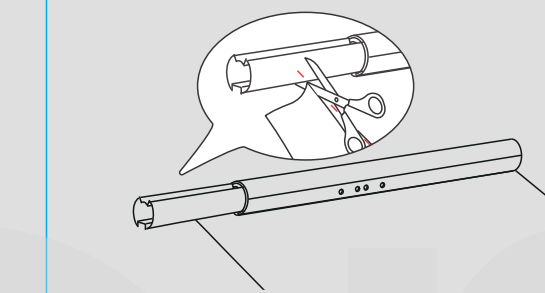


4 Break or cut the tube along the cutting mark. You'll get two tube sections. Keep the indicated B section for later use.

Tips: Trim any burrs on the tube with scissors.

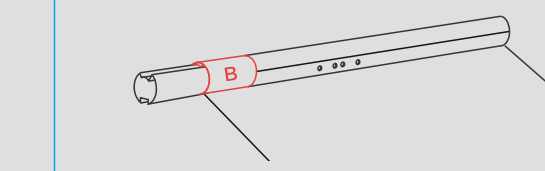
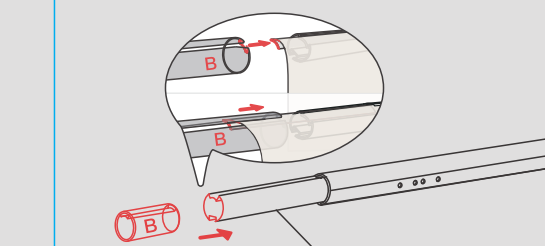


5 Cut the extra fabric.

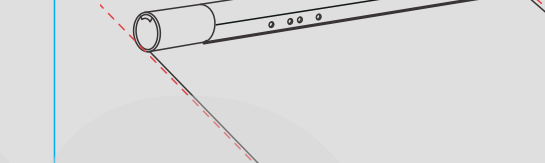
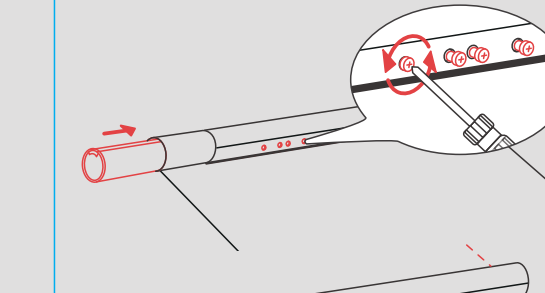


6 Sleeve the tube section B back to fix the fabric.

Note: Check the installation video if necessary.



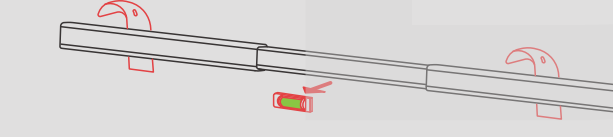
7 Partially loosen the screws on the shade tube and adjust to fit the fabric size. Keep the fabric edges flat during adjustment. Tighten the screws after the adjustment.



Step 7: Assemble the device.

Install the Fabric Roll.

1 Remove the Positioning Cards and Level-Meter (if any) on the Bottom Bar.

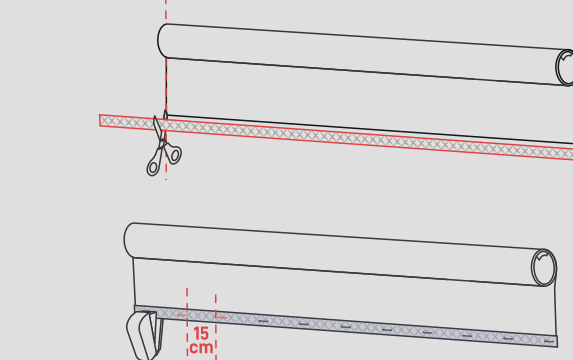


2 Remove the labels and end caps.

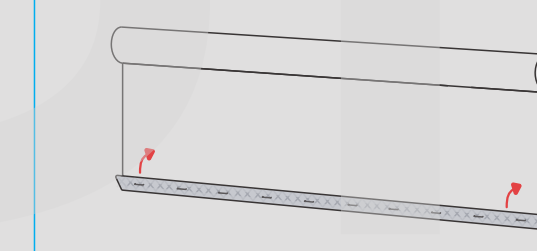


3 Fix the Plastic Band on the edge of the fabric using the provided Stapler.

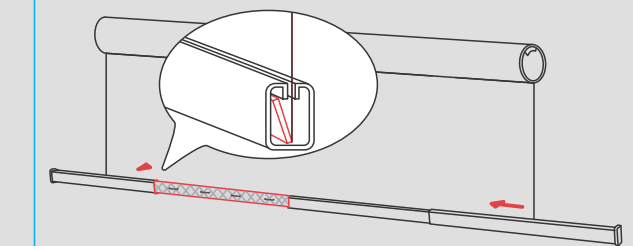
Note: Trim the band to a suitable size as needed.



4 Fold the Plastic Band upward.

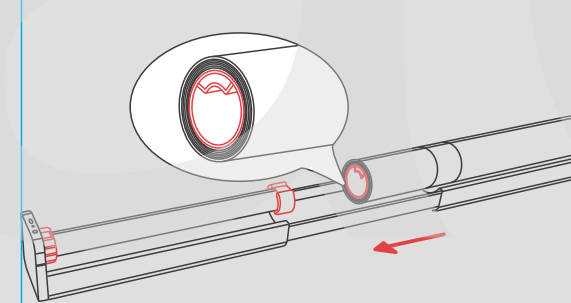


5 Separate the Bottom Bar and sleeve the two parts onto the fabric edge.

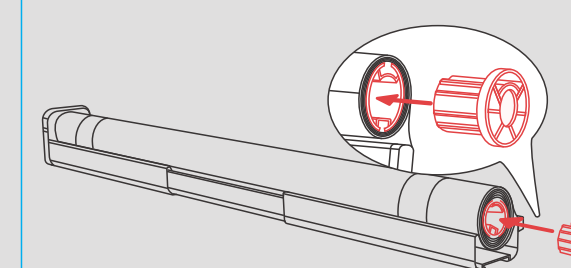


Assemble all parts.

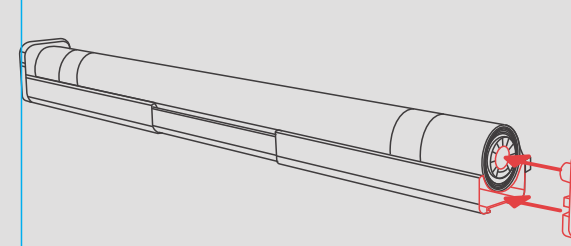
1 Route the Fabric Roll onto the Headrail.



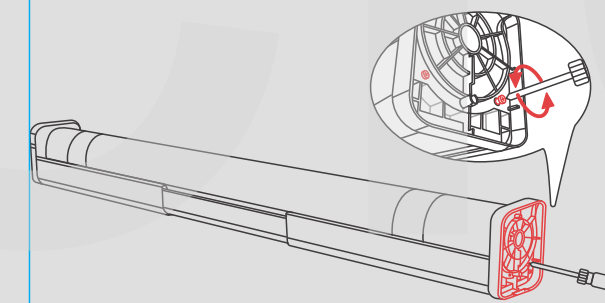
2 Fix the End Cap.



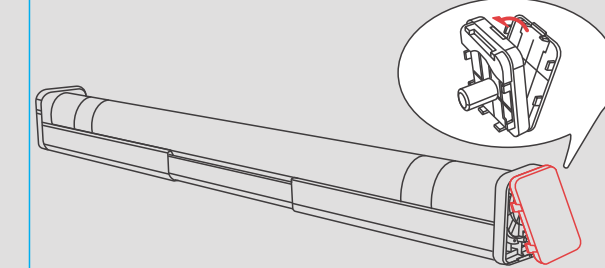
3 Install the End Bracket.



4 Remove the cover and tighten the screws on the End Bracket.

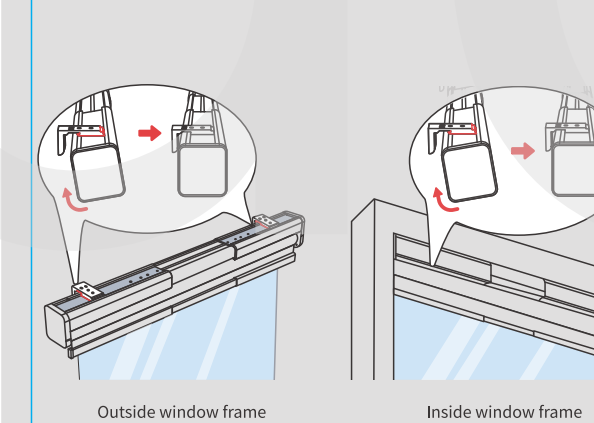


5 Close the bracket cover.



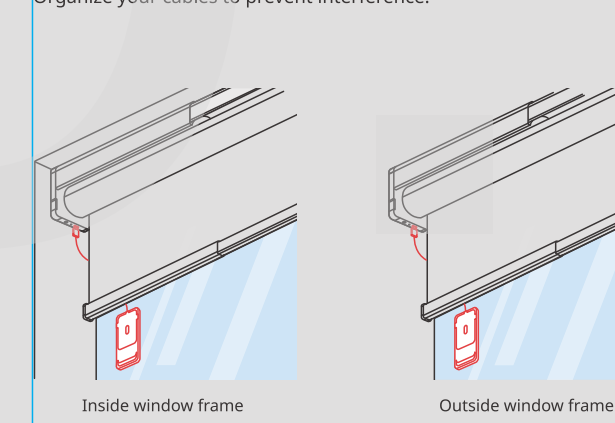
Step 8: Mount the device onto your window frame.

Clip the Headrail on the Mounting Brackets until you hear a click.



(Optional) Install Solar Panel.

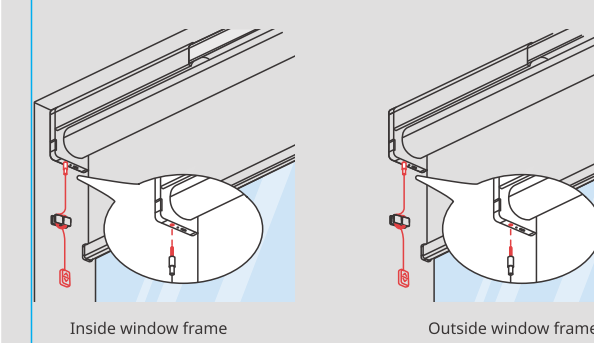
Attach the Solar Panel to a glass with direct sunlight. Connect the cable to the Type-C port on the lower side of the Headrail. Organize your cables to prevent interference.



(Optional) Install the Controller.

Note: The Controller can be used once calibration is completed.

- 1 Connect the Controller to the lower-right port found on your device.
- 2 Attach the Cable Wrap at an appropriate position.
- 3 Wrap the Controller cable on it.



Usage Guide

App Control

We provide intuitive app control for both iOS and Android systems, that is updated weekly or bi-weekly based on user feedback. For a better user experience, we also support OTA firmware upgrades.

Controller

After calibration is completed, long press the button on your controller to move your Roller Shade up or down. You can also charge your device by connecting to a 5 V 1 A 2 A adapter through the Type-C port on the controller.

Charging

It takes about 8 hours to fully charge your device battery and this can last for up to 8 months after one full charge. You may also purchase SwitchBot Solar Panel to charge using sunlight.

1. A 5V=1A adapter is required to charge your device.
2. The battery life is tested under the following conditions: an ambient temperature of 25 °C, a height of 2 meters, a product weight of 4 kg, and rolling up and down once per day. Actual battery life may vary depending on usage.
3. With only 4 hours per day exposed under sunlight that can cast clear shadow, our new SwitchBot Solar Panel can generate sufficient power to sustain your SwitchBot Roller Shade forever.

Resetting Factory Settings

Long press and hold the Add Device button for 15s until the indicator light changes from flash to always on, and then release the button.

Restarting

Use a paperclip to short press the Restart Button and wait for the indicator light to flash.

LED Indicator Light

LED Indicator Light	Description
Fast blinking white	The device is connecting to the network.
Slowly blinking and solid white	Firmware upgrade is in progress.
Slowly blinking	The device is charging.

Device Settings

Light Sensor (Solar Panel)

By connecting your Roller Shade to the SwitchBot Solar Panel (sold separately), you can set up Automations based on light level data. The light level curve shows the best sunlight periods, allowing you to set an automatic charging schedule.

Delay

You can set a countdown action and specify percentage of opening or closing.

Schedules

You can set up to 5 Schedules for your device and specify the day, time, and percentage of opening or closing.

Firmware Upgrades

In order to improve user experience, we will regularly release firmware updates to introduce new functions and solve any software defects that may occur during usage. When a new firmware version is available, we will send an upgrade notification to your account via our app. When upgrading, please make sure your product has sufficient battery or stays powered on and make sure your smartphone is within range to prevent interference.

Frequently Asked Questions

Please visit our website or scan the QR code below for more information.

<https://support.switch-bot.com/hc/en-us/categories/22307951443863>



Specifications

Material: Headrail: Aluminum alloys + ABS Fabric: Polyester	Power Supply: 5 V 1 A DC Type-C adapter, 2600 mAh lithium battery
Size: S: 82 × 72 × 580-800 mm (3.2 × 2.8 × 22.8-31.5 in.) M: 82 × 72 × 800-1100 mm (3.2 × 2.8 × 31.5-43.3 in.) L: 82 × 72 × 1100-1400 mm (3.2 × 2.8 × 43.3-55.1 in.) XL: 82 × 72 × 1400-1850 mm (3.2 × 2.8 × 51.1-72.8 in.)	Life: 8 months, or unlimited with a Solar Panel
	Maximum Load: 4 kg (9 lbs) of curtains (test data)
	Operating Temperature: 0 °C to 40 °C (32 °F to 104 °F)
	Operating Humidity: 10% to 95% RH
	Connectivity: Bluetooth Low Energy

Warranty

We warrant to the original owner of the product that the product will be free from defects in materials and workmanship. Please note that this limited warranty does not cover:

1. Products submitted beyond the original limited warranty period.
2. Products on which repairs or modifying have been attempted.
3. Products subjected to falls, extreme temperatures, water, or other operating conditions outside the product specifications.
4. Damage due to natural disaster (including but not limited to lightning, flood, tornado, earthquake, or hurricane, etc.).
5. Damage due to misuse, abuse, negligence or casualty (e.g. fire).
6. Other damage that is not attributable to defects in the manufacture of product materials.
7. Products purchased from unauthorized resellers.
8. Consumable parts (including but not limited to batteries).
9. Natural wear of the product.

Contact & Support

Feedback: If you have any concerns or problems when using our products, please send feedback via our app through the Profile > Support page.
Setup and Troubleshooting: support@switch-bot.com
Support Email: support@switch-bot.com

SwitchBot Rullegardin Brugermanual

Scan QR-koden for at få brugermanual på tysk, fransk, spansk, hollandsk og italiensk.
<https://www.switch-bot.com/pages/switchbot-user-manual>



Brugermanual

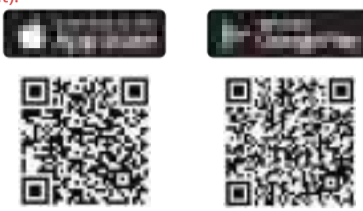
Læs venligst denne brugervejledning omhyggeligt, før du bruger din enhed.

Forberedelse

Du skal bruge:

- En smartphone eller tablet, der bruger Bluetooth 4.2 eller nyere.
- Den seneste version af vores app, kan downloades via Apple App Store eller Google Play Butik.
- En SwitchBot-konto, du kan registrere via vores app eller logge ind på din konto direkte, hvis du allerede har en.

Bemærk venligst: Hvis du har til hensigt at bruge tredjepartstjenester såsom Alexa, skal du bruge en SwitchBot Hub (sælges separat).

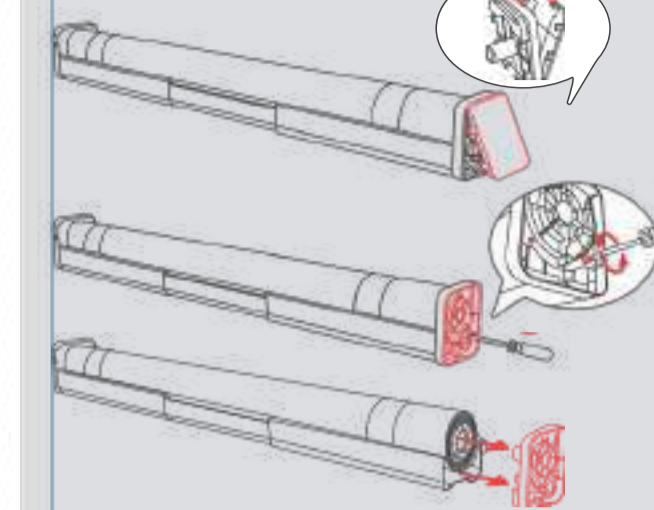


iOS- og Android-systemkrav: <https://support.switch-bot.com/hc/en-us/articles/12567397397271>

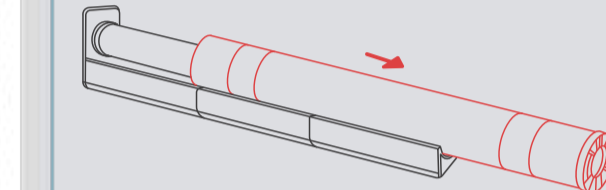


A Udvendig vinduesramme

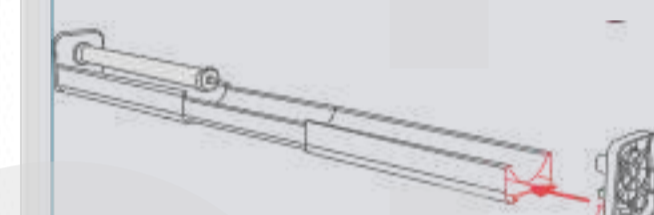
1 Fjern endebeslagets dæksel, skru derefter af og tag beslaget af.



2 Fjern stofrullen.



3 Monter endebeslaget uden at stramme skruerne.

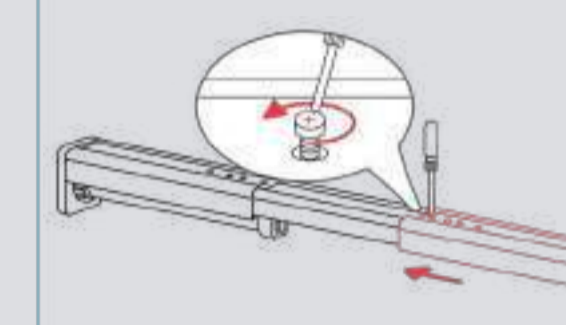


4 Bestem, om hovedskinnen skal ændre størrelse i henhold til bredden af dit vindue.

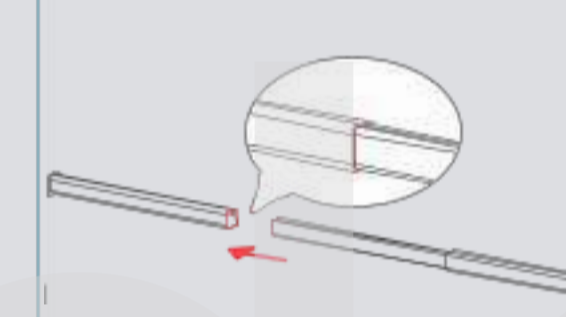
Tip: Det anbefales at reservere en margin større end eller lig med 2,5 cm (0,9 in.) på begge sider for en bedre skyggeeffekt.



Bemærk: Løs hovedskinnens justeringskraver delvist for at justere og stram dem derefter efter færdiggørelse.



5 Saml den nederste bjælke som vist.



Bestem placeringen af monteringsbeslag.

1 Juster den nederste bjælke som vist.



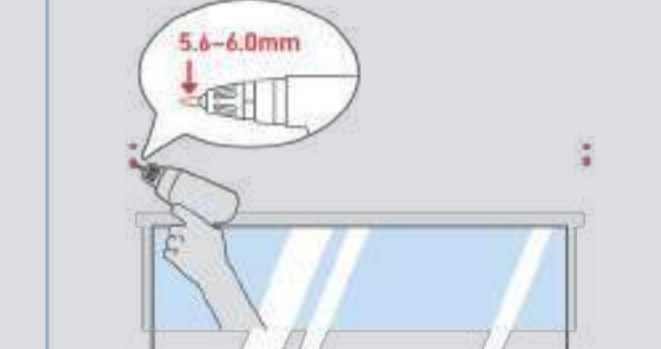
2 Hold den nederste stang i vater, og marker placeringerne af din monteringsbeslag.



Bemærk: Bekræft, at boblen i niveaumåleren forbliver mellem de to sorte mærker.



3 Bor fire huller med en dybde på mere end 3 cm (1,2 in.). Borekronestørrelse: 5,6 til 6 mm (0,22 til 0,23 tommer)

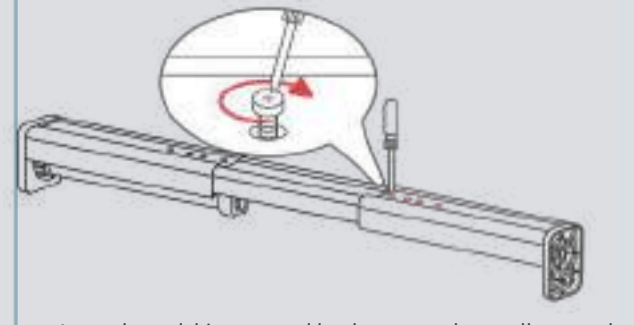


4 Brug en hammer til at installere ankre og fastgøre monteringsbeslagene med ekspansionskraver.

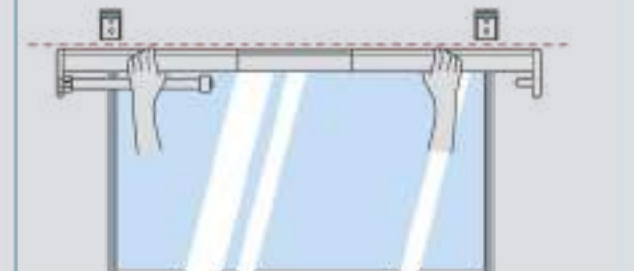


Kontroller, om hovedlisten kan monteres korrekt.

1 Spænd alle skraver på hovedskinnen.



2 Juster hovedskinnen med beslagene og kontroller, om de passer. Monter hovedlisten på beslagene og kontroller, om den er i vater.

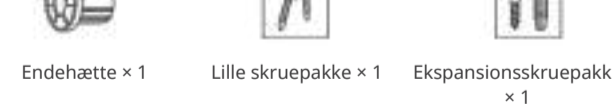
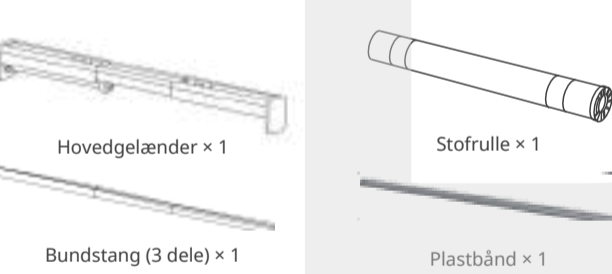


Bemærk: Et ujævnt hovedgelænder kan påvirke motorens rulling og forstyre stoffets skæreforløb.

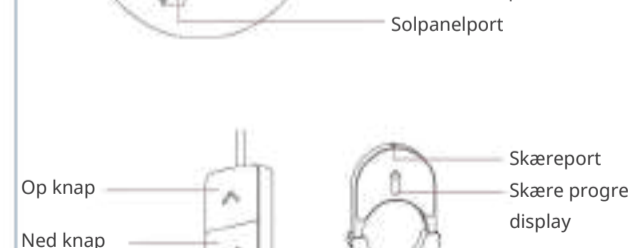
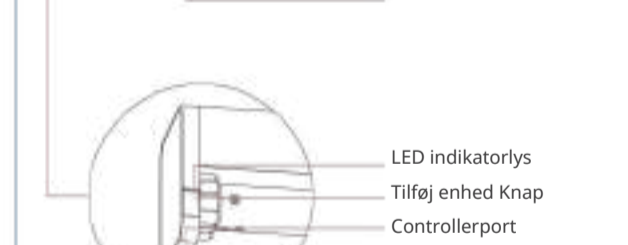
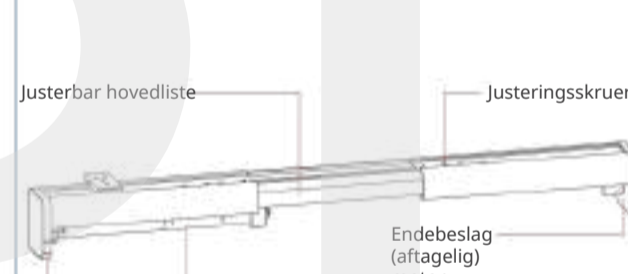
3 Fjern hovedskinnen og endebeslaget fra det.



Pakkens indhold



Liste over komponenter



Installation

Scan QR-koden for at se installationsvideoen.



Trin 1: Tilføj din Roller Shade til vores app

Åbn vores app og log ind. Tryk på "+"-ikonet i øverste højre hjørne af startskærmen, vælg Tilføj enhed, vælg Roller Shade-ikonet, og følg vejledningen for at tilføje din enhed.



Trin 2: Tjek pakkens indhold og klargør værktøjer

Værktøj: elektrisk boremaskine, saks, blyant, målebånd, hammer, stige



Anbefalet antal medarbejdere: 2 til 3
Varighed: 30 til 40 minutter

Trin 3: Juster hovedgelænder og installer monteringsbeslag

Bestem installationstilstanden.

A

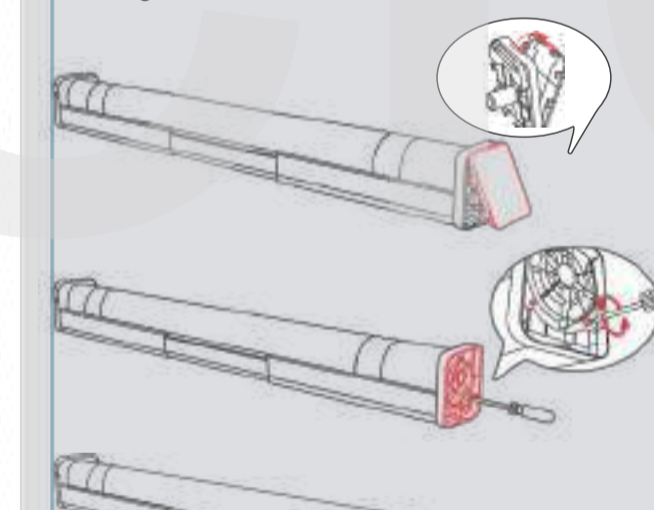


B



B Indvendig vinduesramme

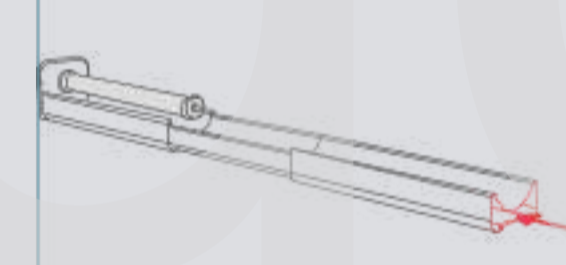
1 Fjern endebeslagets dæksel, skru derefter af og tag beslaget af.



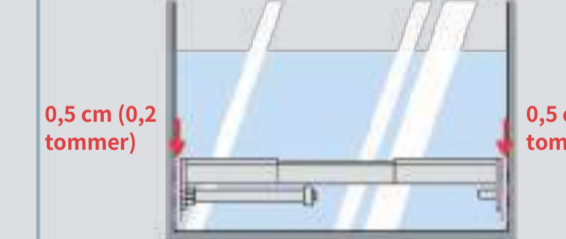
2 Fjern stofrullen.



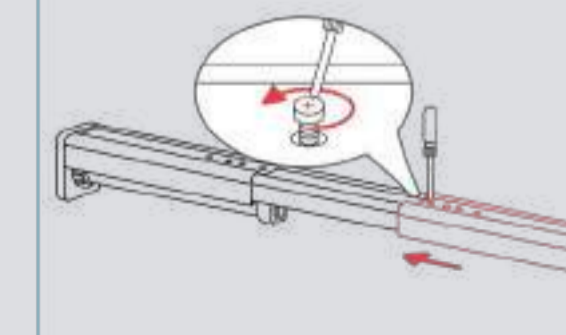
3 Monter endebeslaget uden at stramme skruerne.



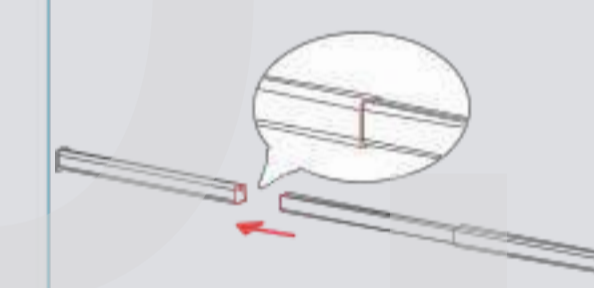
4 Juster hovedlisten, og sørg for, at de to ender er 0,5 cm (0,2 in.) inden for vinduesrammen.



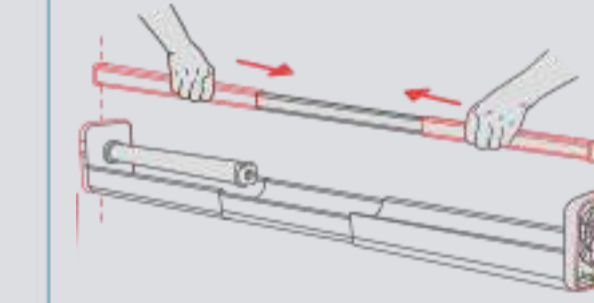
Bemærk: Løs hovedskinnens justeringskraver delvist for at justere og stram dem derefter efter færdiggørelse.



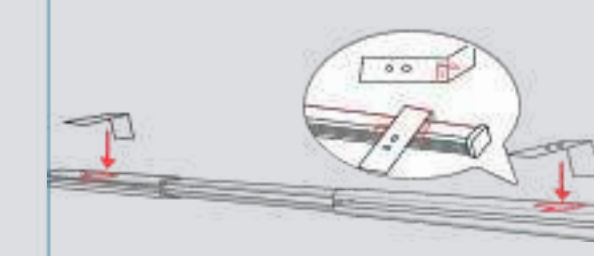
5 Saml den nederste bjælke som vist.



6 Juster den nederste bjælke til samme størrelse som hovedlisten.

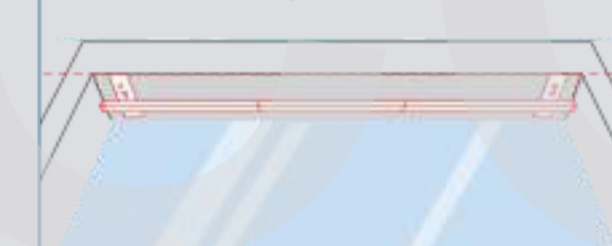


7 Find positioneringskortene og træk tapeforingen af. Vedhæft placering af kort på de røde mærker på den nederste bjælke.

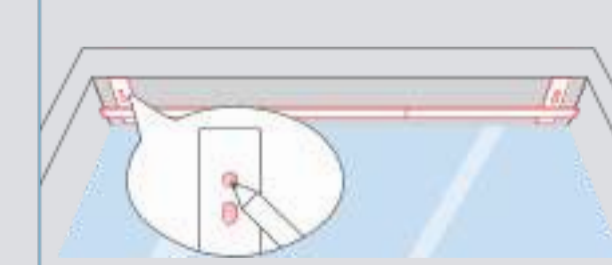


Bestem placeringen af monteringsbeslag.

1 Juster den nederste bjælke som vist.



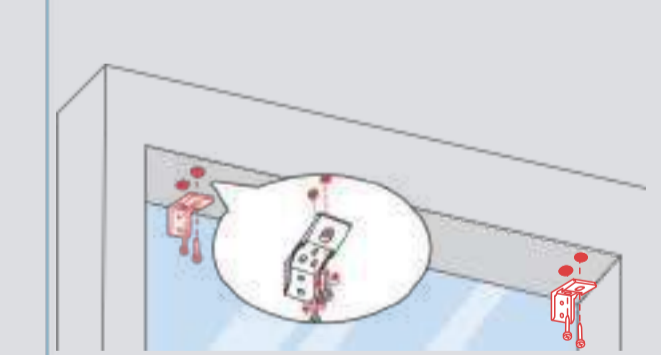
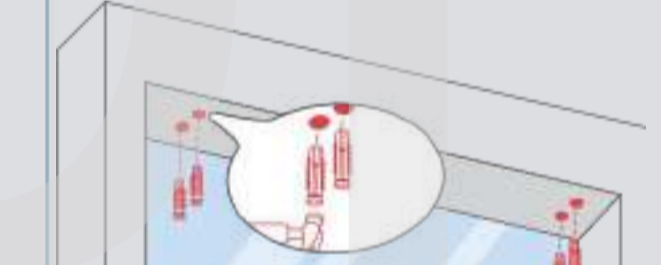
2 Hold den nederste stang i vater, og marker placeringerne af din monteringsbeslag.



3 Bor fire huller med en dybde på mere end 3 cm (1,2 in.). Borekrone størrelse: 5,6 til 6 mm (0,22 til 0,23 tommer)

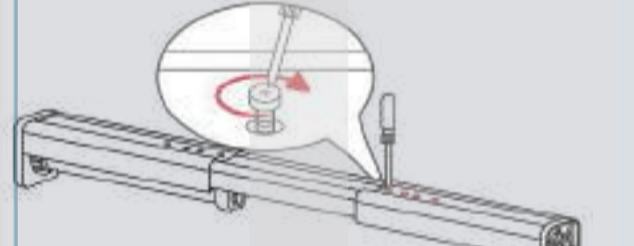


4 Brug en hammer til at installere ankre og fastgøre monteringsbeslagene med ekspansionskraver.

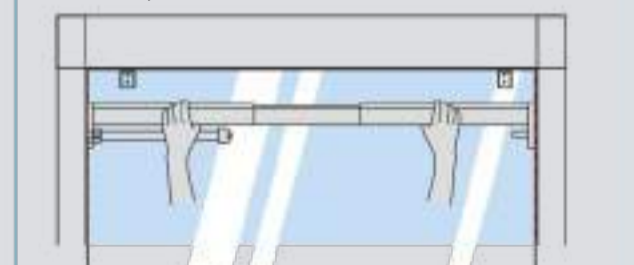


Kontroller, om hovedlisten kan monteres korrekt.

1 Spænd alle skraver på hovedskinnen.

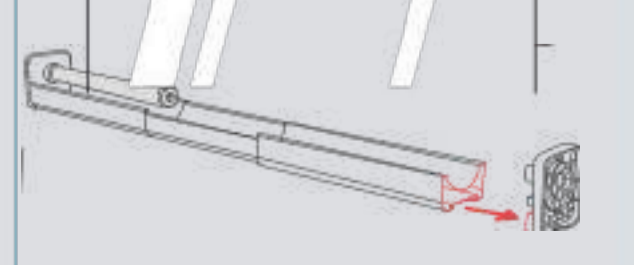


2 Juster hovedskinnen med beslagene og kontroller, om de passer. Monter hovedlisten på beslagene og kontroller, om den er i vater.

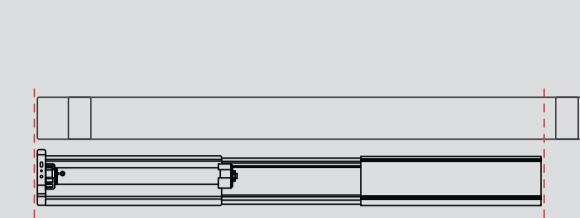


Bemærk: Et ujævnt hovedgelænder kan påvirke motorens rulling og forstyre stoffets skæreforløb.

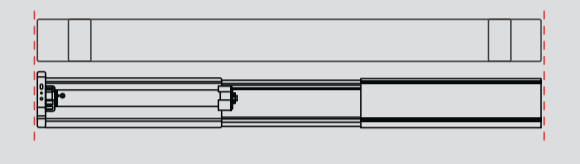
3 Fjern hovedskinnen og endebeslaget fra det.



Trin 4: Bestem, om stoffet skal klippes.



Klip det ekstra stof, hvis hovedgælænderet ændres.



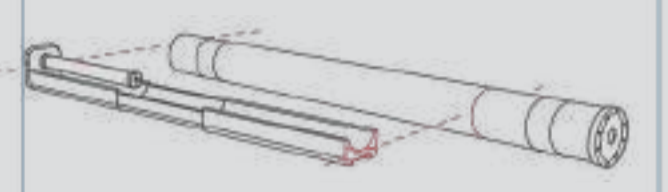
Spring trin 5 og 6 over, hvis du ikke har ændret størrelsen på Headrail.

Trin 5: Tilpas størrelsen på stoffet.



Bemærk: Hold etiketterne intakte.

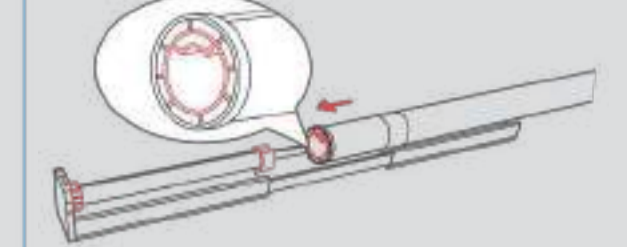
- 1 Bestem skærepositionen på stofrullen i henhold til Hovedgælænderets størrelse.



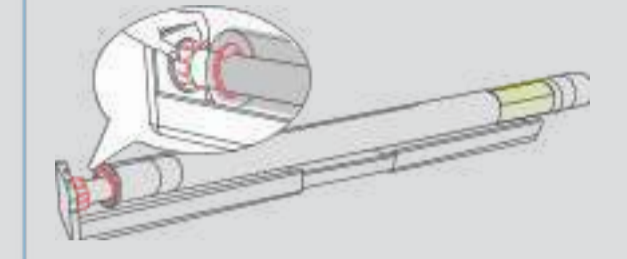
- 2 Vikl stoftapen sikkert rundt om skærepositionen for at forhindre stoffet flytter sig under skæreprocessen.



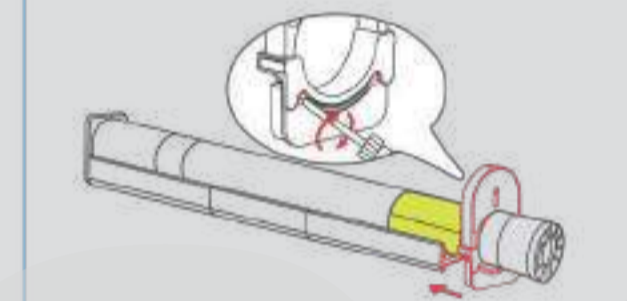
- 3 Før stofrullen på hovedlisten, indtil den er på plads.



Bemærk: Juster de angivne dele, så stofrullen kan glide på plads.

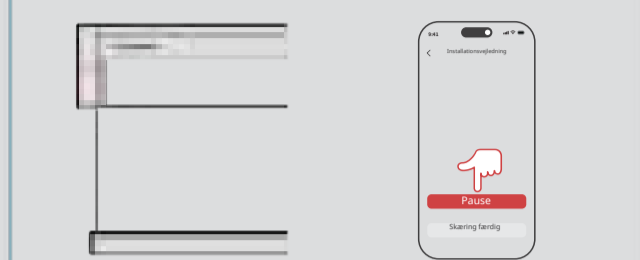


- 4 Installer fræsere og fastgør skruerne.

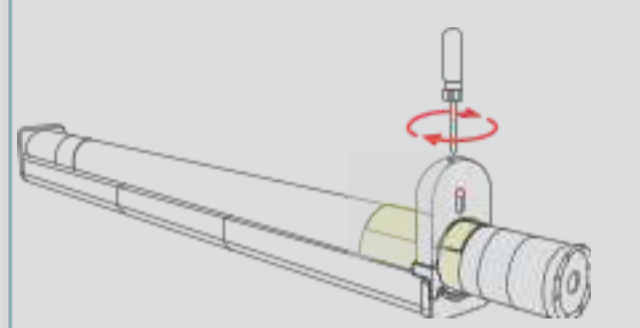


Begynd at skære stof

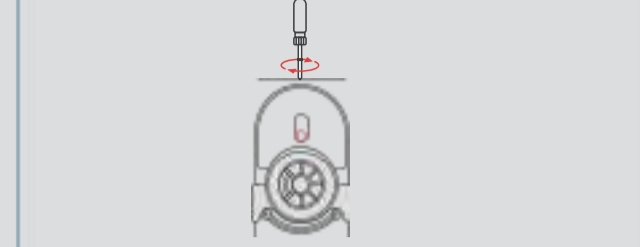
- 1 Gå ind på stofklippesiden via appen. Under stofskæring vil din Roller Shade rulle med konstant hastighed. I nødstilfælde skal du trykke på knappen Tilføj enhed på enheden eller trykke på Pause i vores app for at stoppe handlingen.



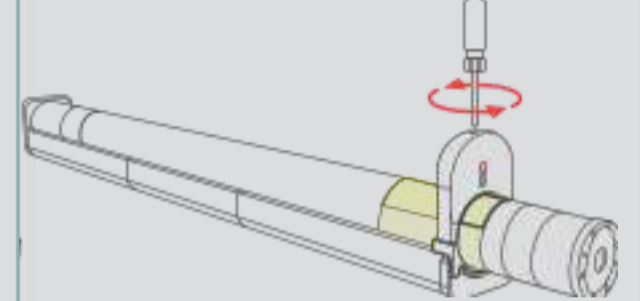
- 2 Placer hovedlisten som vist. Tryk på Start via vores app for at starte motor. Indsæt derefter en skruetrækker i den øverste port og drej med uret.



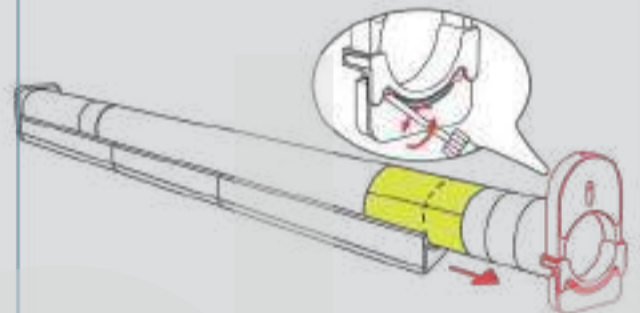
- 3 Stop med at dreje skruetrækkeren, hvis du ser indikatoren bevæge sig til anden ende fra statusdisplayet.



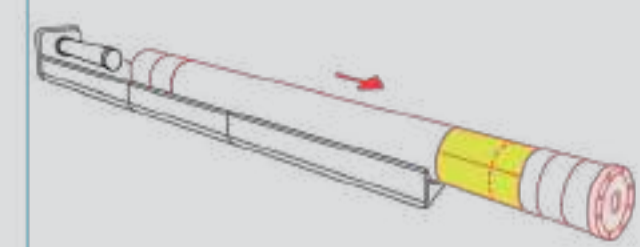
- 4 Drej din skruetrækker mod uret, indtil indikatoren bevæger sig til sin oprindelige position.



- 5 Fjern fræsere.



- 6 Fjern stofrullen.

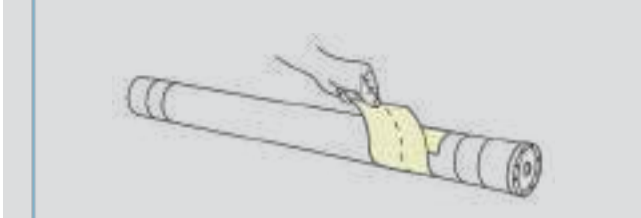


Bemærk: Hvis du har brug for at ændre størrelsen på stoffet igen, skal du scanne QR-koden og tjekke videoen.



Trin 6: Juster den ændrede størrelse på stofrullen.

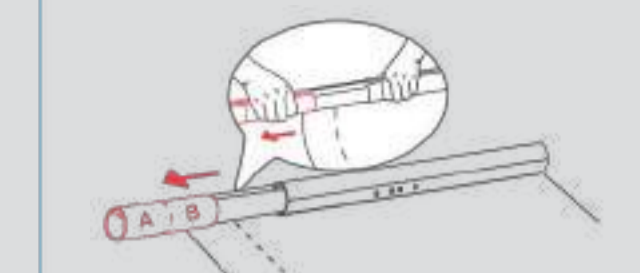
- 1 Fjern endehætter, etiketter og stoftape (hvis nogen).



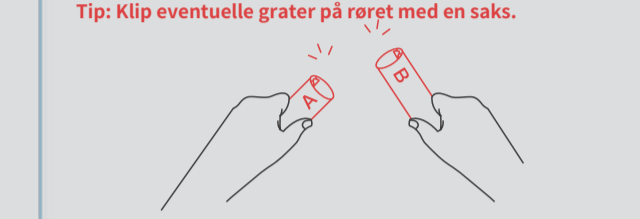
- 2 Spred stoffet fladt og fjern tapen. **Bemærk:** Du kan klippe ekstra stof senere.



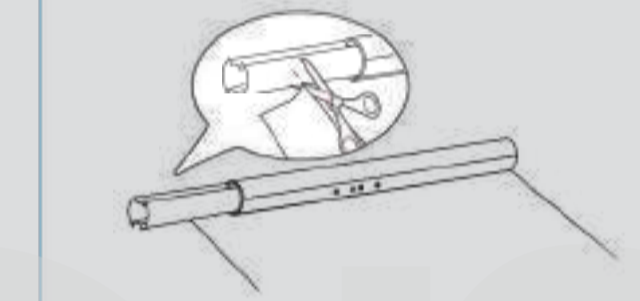
- 3 Fjern plastikrøret.



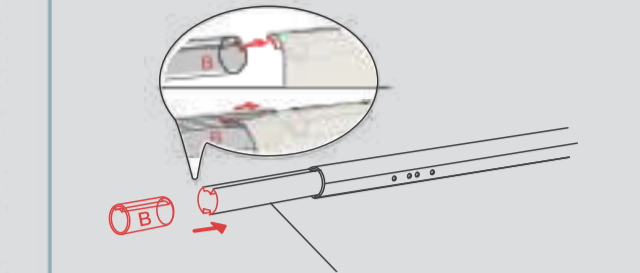
- 4 Knæk eller skær røret langs skæremærket. Du får to rørsektioner. Gem den angivne B-sektion til senere brug. **Tip:** Klip eventuelle grater på røret med en saks.



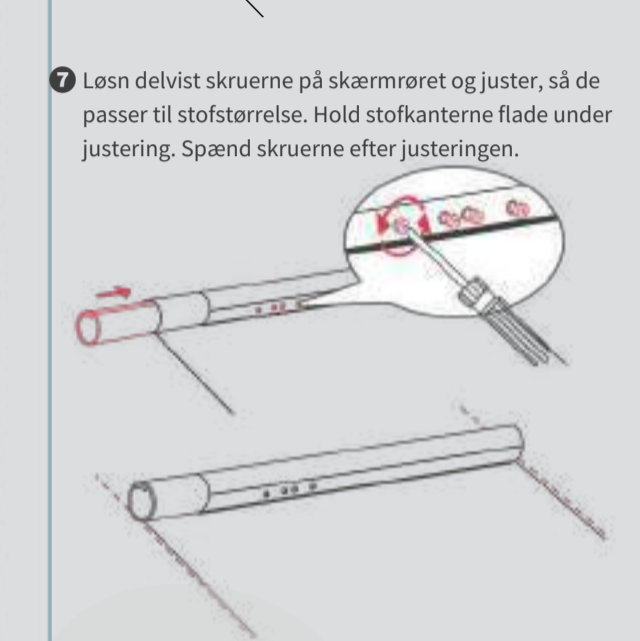
- 5 Klip det ekstra stof.



- 6 Træk rørsektionen B tilbage for at fikse stoffet. **Bemærk:** Tjek installationsvideoen om nødvendigt.

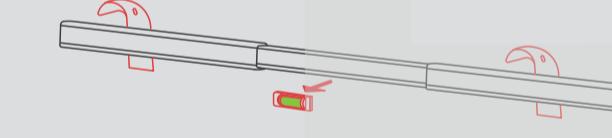


- 7 Løsn delvist skruerne på skærrøret og juster, så de passer til stofstørrelse. Hold stofkanterne flade under justering. Spænd skruerne efter justeringen.

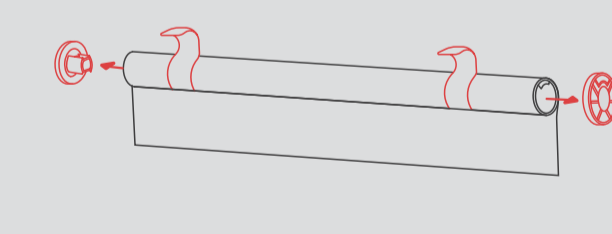


Trin 7: Saml enheden. Monter stofrullen.

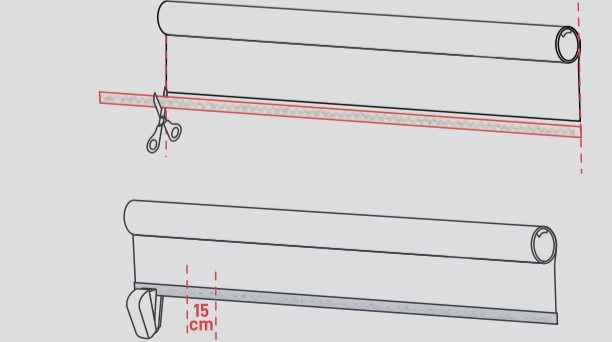
- 1 Fjern positioneringskortene og niveaumåleren (hvis nogen) på nederste bjælke.



- 2 Fjern etiketterne og endestykkerne.



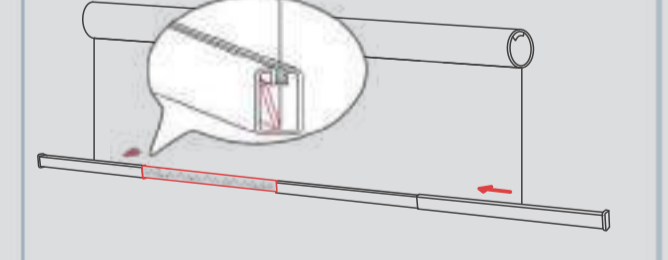
- 3 Fastgør plastikbåndet på kanten af stoffet ved hjælp af det medfølgende hæftemaskine. **Bemærk:** Trim båndet til en passende størrelse efter behov.



- 4 Fold plastikbåndet opad.

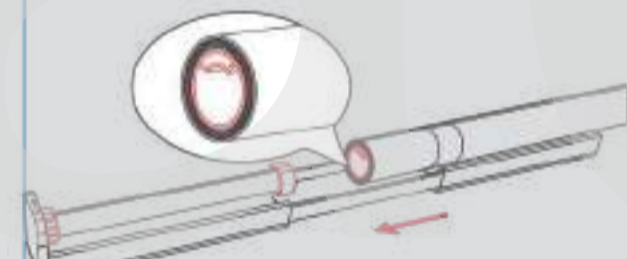


- 5 Adskil den nederste stang og sæt de to dele på stoffets kant.

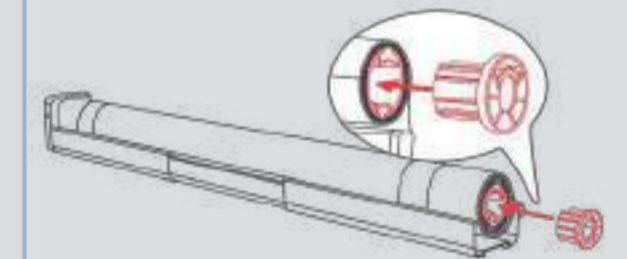


Saml alle dele.

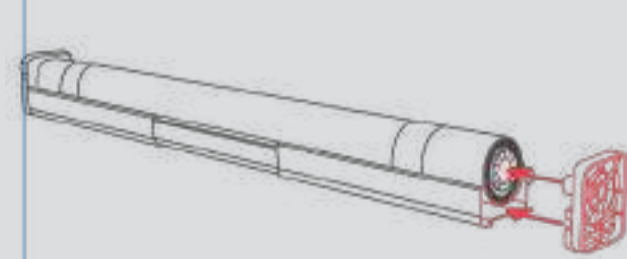
- 1 Før stofrullen på hovedlisten.



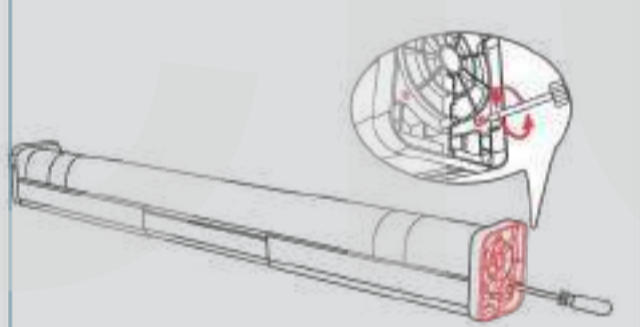
- 2 Fastgør endehætten.



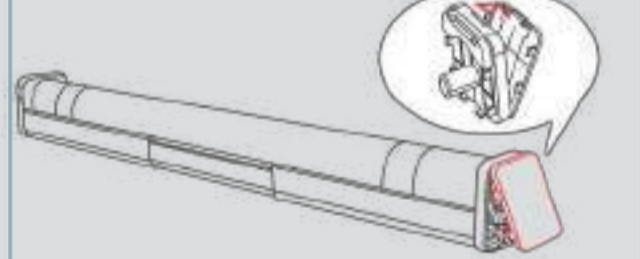
- 3 Installer endebeslaget.



- 4 Fjern dækslet og spænd skruerne på endebeslaget.



- 5 Luk beslagsdækslet.



Trin 8: Monter enheden på din vinduesramme.

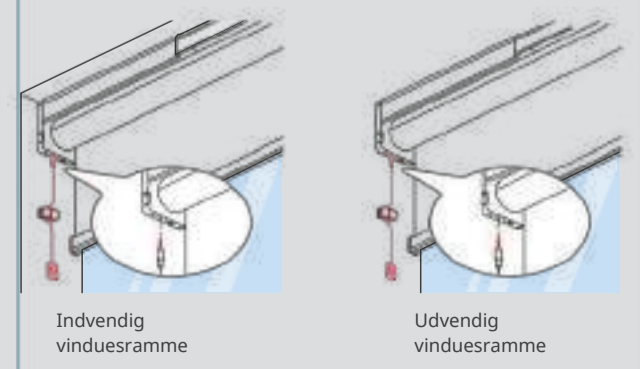
Klem hovedlisten på monteringsbeslagene, indtil du hører et klik.



(Valgfrit) Installer kontrolleren.

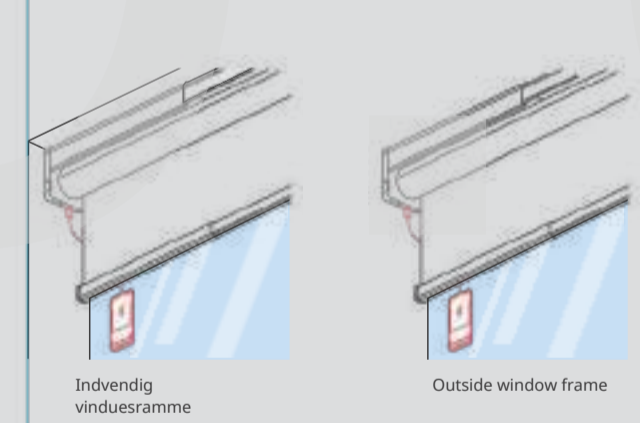
Bemærk: Kontrolleren kan bruges, når kalibreringen er afsluttet.

- Tilslut kontrolleren til den nederste højre port på din enhed.
- Fastgør kabelomslaget på en passende position.
- Vikl kontrollerkablet på det.



(Valgfrit) Installer solpanel.

Fastgør solpanelet til et glas med direkte sollys. Tilslut kablet til Type-C-porten på undersiden af hovedskinnen. Organiser dine kabler for at forhindre interferens.



Trin 9: Kalibrer din Roller Shade

Kalibrer ruten for din Roller Shade som du bliver bedt om i appen.

Brugsvejledning

App kontrol
Vi leverer intuitiv appkontrol til både iOS- og Android-systemer, som opdateres ugentligt eller hver anden uge baseret på brugerfeedback. For en bedre brugeroplevelse understøtter vi også OTA-firmwareopgraderinger.
Controller
Når kalibreringen er færdig, skal du trykke længe på knappen på din controller for at flytte din Roller Shade op eller ned. Du kan også oplade din enhed ved at tilslutte til en 5 V 1 A/2 A-adapter gennem Type-C-porten på kontrolleren.

Opladning
Det tager omkring 8 timer at oplade din enheds batteri helt, og dette kan holde i op til 8 måneder efter en fuld opladning. Du kan også købe SwitchBot Solar Panel for at oplade ved hjælp af sollys.
1. En 5V 1A adapter er påkrævet for at oplade din enhed.
2. Batteriets levetid testes under følgende forhold: en omgivelsestemperatur på 25 °C, en højde på 2 meter, en produktvægt på 4 kg, og rulle op og ned én gang om dagen. Den faktiske batterilevetid kan variere afhængigt af brugen.
3. Med kun 4 timer pr. dag udsat for sollys, der kan kaste klar skygge, er vores nye SwitchBot Solar Panel kan generere tilstrækkelig strøm til at opretholde din SwitchBot Roller Shade for evigt.

Nulstilling af fabriksindstillinger
Tryk og hold knappen Tilføj enhed nede i 15 sekunder, indtil indikatorysfet skifter fra blink til altid tændt, og sørg for, at din indikatorysfet blinker.

Genstarter
Brug en papirclips til at trykke kort på Genstart-knappen og vent på, at indikatorysfet blinker.

LED indikatorlys	Beskrivelse
Blinker hurtigt hvidt	Enheden opretter forbindelse til netværket.
Blinker langsomt og konstant hvidt	Firmwareopgradering er i gang.
Blinker langsomt	Enheden oplades.

Enhedsindstillinger

Lyssensor (solpanel)
Ved at forbinde din Roller Shade til SwitchBot Solar Panel (solgøres separat), kan du opsætte Automations baseret på lysniveauudata. Lysniveauekurven viser de bedste sollypperioder, så du kan indstille en automatisk opladningsplan.
Størrelse: Du kan indstille en nedtrækningshastighed og angive procentdel af åbning eller lukning.
Tidsplaner
Du kan indstille op til 5 tidsplaner for din enhed og angive dagen, tidspunktet og procentdelen for åbning eller lukning.

Firmware opgraderinger

For at forbedre brugeroplevelsen vil vi regelmæssigt frigive firmwareopdateringer til at introducere nye funktioner og løse eventuelle softwarefej, der kan opstå under brug. Når en ny firmwareversion er tilgængelig, sender vi en opgraderingsmeddelelse til din konto via vores app. Når du opgraderer, skal du sørge for, at dit produkt har tilstrækkeligt batteri eller forbliver tændt, og sørg for, at din smartphone er inden for rækkevidde til at forhindre interferens.

Ofte stillede spørgsmål

Besøg vores hjemmeside eller scan QR-koden nedenfor for mere information. <https://support.switch-bot.com/hc/en-us/categories/22307951443863>



Specifikationer

Materiale: Hovedgælænder: Aluminiumslegeringer + ABS
Stof: Polyester
Størrelse: S: 82 × 72 × 580–800 mm (3,2 × 2,8 × 22,8–31,5 tommer)
M: 82 × 72 × 800–1100 mm (3,2 × 2,8 × 31,5–43,3 tommer)
L: 82 × 72 × 1100–1400 mm (3,2 × 2,8 × 43,3–51,1 tommer)
XL: 82 × 72 × 1400–1850 mm (3,2 × 2,8 × 51,1–72,8 tommer)

Garanti

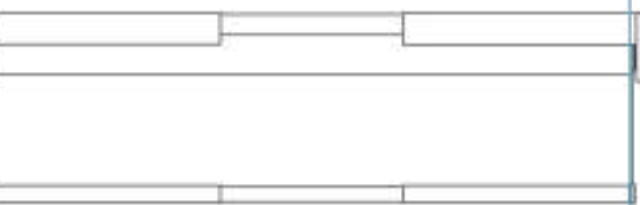
Vi garanterer over for den oprindelige ejer af produktet, at produktet vil være fri for defekter i materialer og udførelse. Bemærk venligst, at denne begrænsede garanti ikke dækker:
1. Produkter indsendt ud over den oprindelige begrænsede garantiperiode.
2. Produkter, hvorpå der er foresået reparation eller ændring.
3. Produkter udsat for fald, ekstreme temperaturer, vand eller anden drift forhold uden for produktspecifikationerne.
4. Skader på grund af naturkatastrofer (herunder, men ikke begrænset til, lyn, oversvømmelse, tornado, jordskælv eller orkan osv.).
5. Skader på grund af misbrug, uagtsomhed eller ulovlige (f.eks. brand).
6. Andre skader, der ikke kan henføres til fejl ved fremstillingen af produktet materialer.
7. Produkter købt fra uautoriserede forhandlere.
8. Forbrugsdele (inklusive men ikke begrænset til batterier).
9. Naturlig slid på produktet.

Kontakt & Support

Feedback: Hvis du har nogen bekymringer eller problemer, når du bruger vores produkter, bedes du sende feedback via vores app via siden Profil > Support. Opsætning og fejlfinding: support@switch-bot.com Support E-mail: support@switch-bot.com

SwitchBot Rullgardin

Användarmanual



Läs denna bruksanvisning noggrant innan du använder din enhet.

Skanna QR-koden för att få användarmanualen på tyska, franska, spanska, holländska och italienska.
<https://www.switch-bot.com/pages/switchbot-user-manual>



Användarmanual

Förberedelse

Du behöver:

- En smartphone eller surfplatta som använder Bluetooth 4.2 eller senare.
- Den senaste versionen av vår app kan laddas ner via Apple App Store eller Google Play Store.
- Ett SwitchBot-konto, du kan registrera dig via vår app eller logga in på ditt konto direkt om du redan har ett.

Observera: Om du tänker använda tredjepartstjänster som Alexa behöver du en SwitchBot Hub (säljs separat).

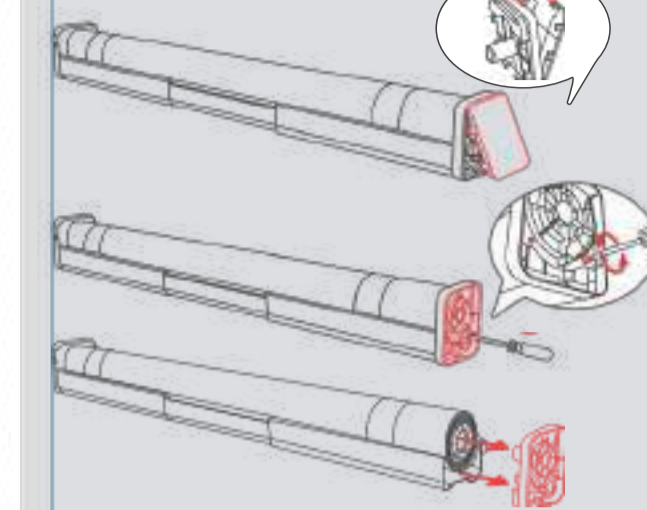


Systemkrav för iOS och Android: <https://support.switch-bot.com/hc/en-us/articles/12567397397271>

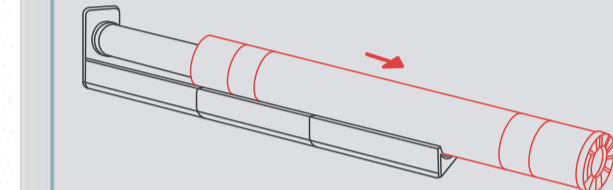


A Utvändig fönsterkarm

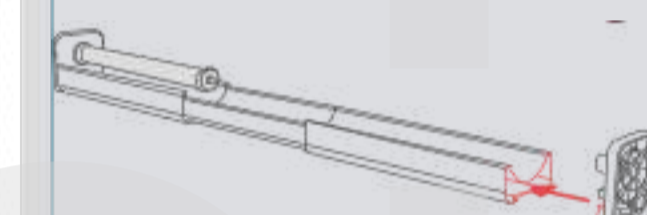
1 Ta bort ändfästeskåpan, skruva sedan loss och ta bort konsolen.



2 Ta bort tygrullen.



3 Montera ändfästet utan att dra åt skruvarna.

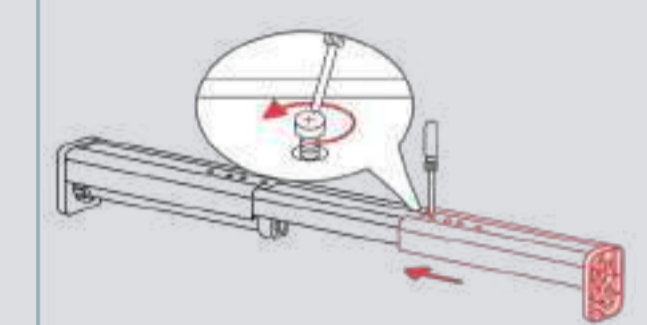


4 Bestäm om huvudskenan ska ändras efter bredden på ditt fönster.

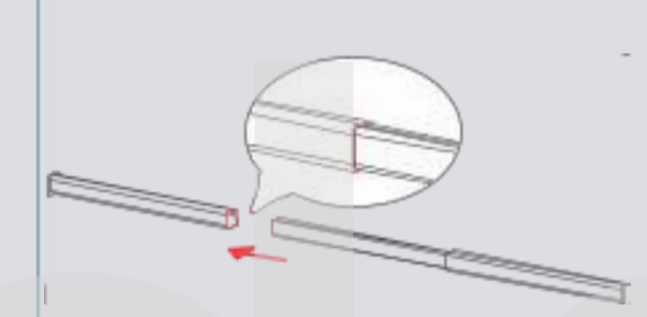
Tips: Det rekommenderas att reservera en marginal som är större än eller lika med 2,5 cm (0,9 tum) på båda sidor för en bättre slugeffekt.



Obs: Lossa delvis på huvudskenas justeringskruror för att justera och dra sedan åt dem efter det att det är klart.

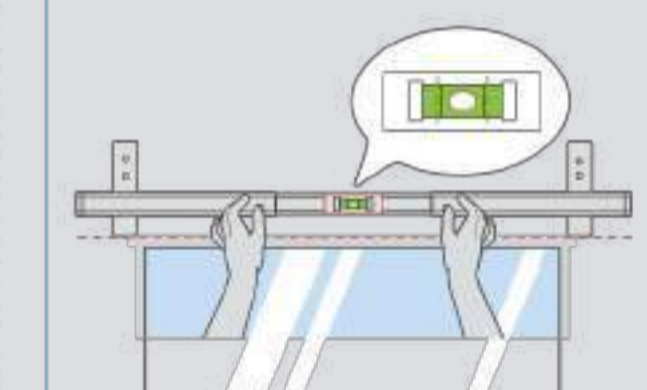


5 Montera den nedre balken enligt bilden.



Bestäm platsen för monteringsfästena.

1 Justera det nedre fältet enligt bilden.



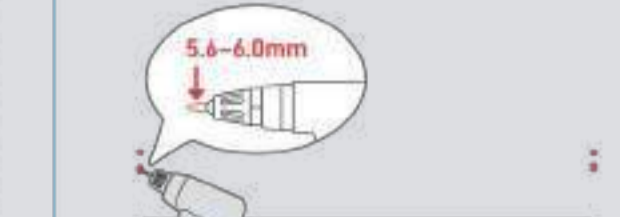
2 Håll den nedre stängen i nivå och markera placeringen av dina monteringsfästen.



Obs: Kontrollera att bubblan i nivåmätaren förblir mellan de två svarta markeringarna.



3 Borra fyra hål med ett djup på mer än 3 cm (1,2 tum). Borrstorlek: 5,6 till 6 mm (0,22 till 0,23 tum)

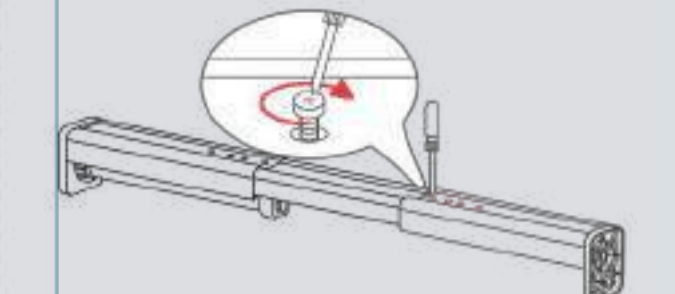


4 Använd en hammare för att installera ankare och fäst monteringsfästena med expansionskruror.

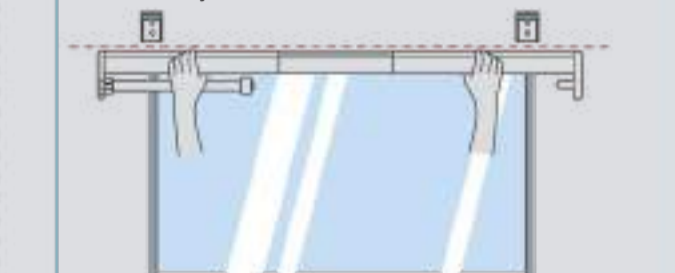


Kontrollera om huvudlisten kan monteras korrekt.

1 Dra åt alla skruvar på huvudskenan.

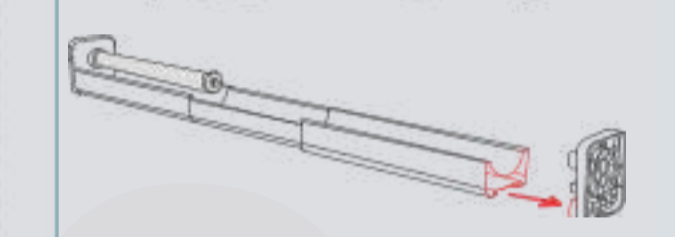


2 Rikta in huvudskenan med beslagen och kontrollera om de passar. Montera huvudlisten på beslagen och kontrollera om den är jämn.

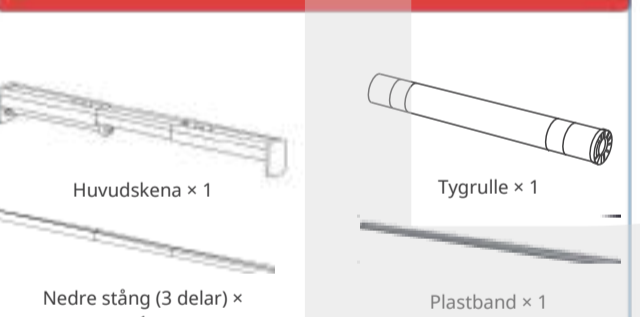


Obs: En ojämn räcken kan påverka motorns rullning och störa tygkärningsprocessen.

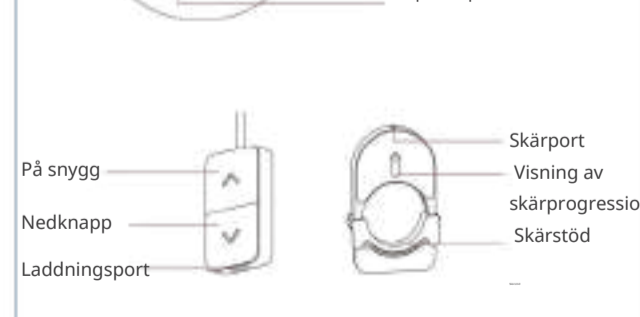
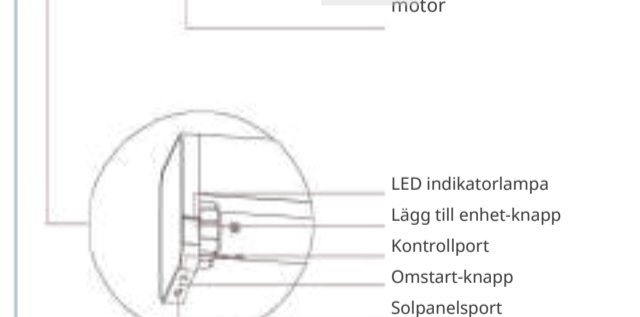
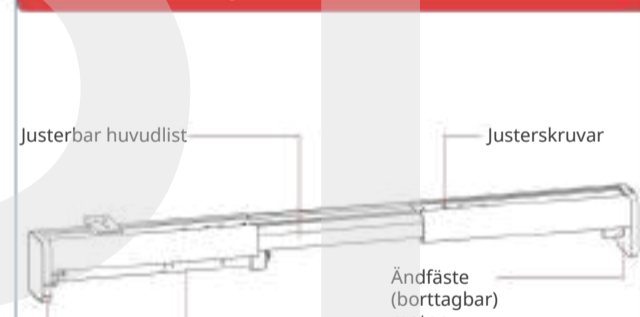
3 Ta bort huvudskenan och ändfästet från del.



Paketets innehåll



Lista över komponenter



Installation

Skanna QR-koden för att se installationsvideon.



Steg 1: Lägg till din Roller Shade i vår app

Öppna vår app och logga in. Tryck på ikonen "+" i det övre högra hörnet på startsidan, välj Lägg till enhet, välj ikonen Roller Shade och följ instruktionerna för att lägga till din enhet.



Steg 2: Kontrollera paketets innehåll och förbered verktyg

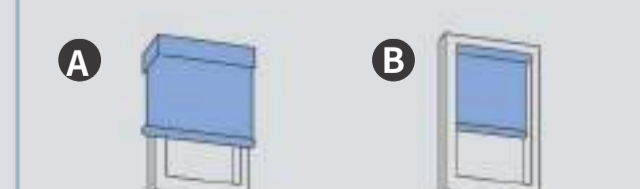
Verktyg: elektrisk borrar, sax, penna, måttband, hammare, stega



Rekommenderat antal anställda: 2 till 3
Längd: 30 till 40 minuter

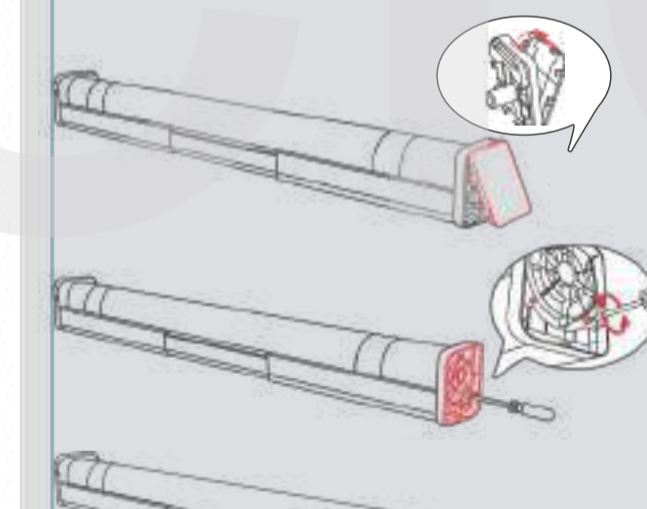
Steg 3: Justera huvudskenan och installera monteringsfästena

Bästa installationsstilen.

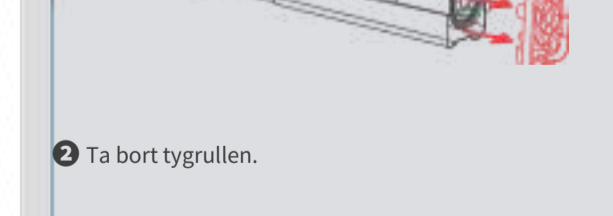


B Invändig fönsterram

1 Ta bort ändfästeskåpan, skruva sedan loss och ta bort konsolen.



2 Ta bort tygrullen.



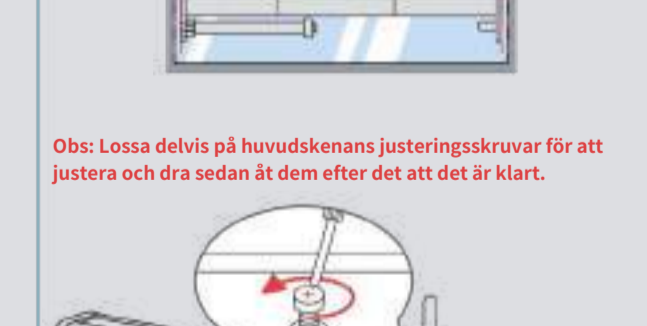
3 Montera ändfästet utan att dra åt skruvarna.



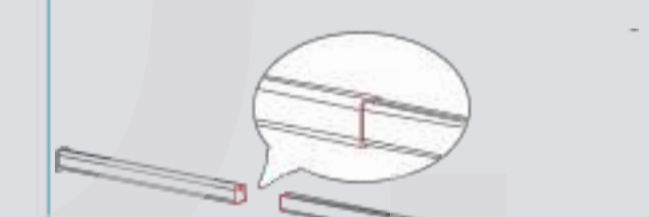
4 Justera huvudlisten och se till att de två ändarna är 0,5 cm (0,2 tum) innanför fönsterramen.



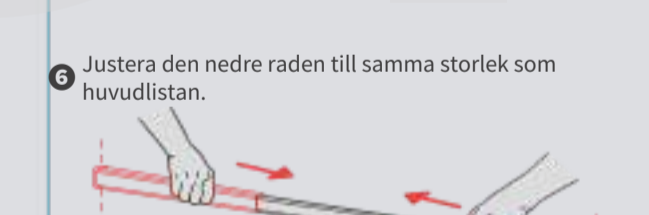
Obs: Lossa delvis på huvudskenas justeringskruror för att justera och dra sedan åt dem efter det att det är klart.



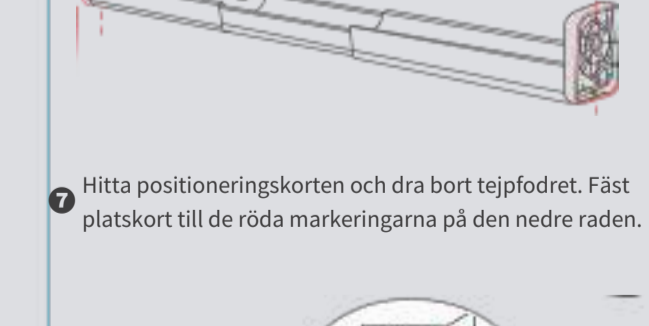
5 Montera den nedre balken enligt bilden.



6 Justera den nedre raden till samma storlek som huvudlisten.

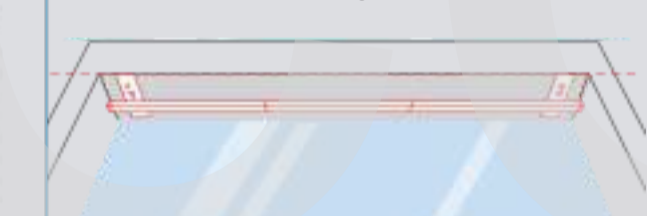


7 Hitta positioneringskortet och dra bort tejpfodret. Fäst platskort till de röda markeringarna på den nedre raden.

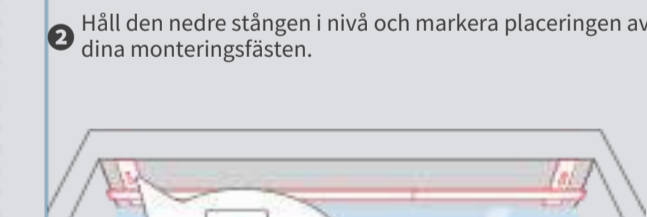


Bestäm platsen för monteringsfästena.

1 Justera det nedre fältet enligt bilden.



2 Håll den nedre stängen i nivå och markera placeringen av dina monteringsfästen.



3 Borra fyra hål med ett djup på mer än 3 cm (1,2 tum). Borrstorlek: 5,6 till 6 mm (0,22 till 0,23 tum)

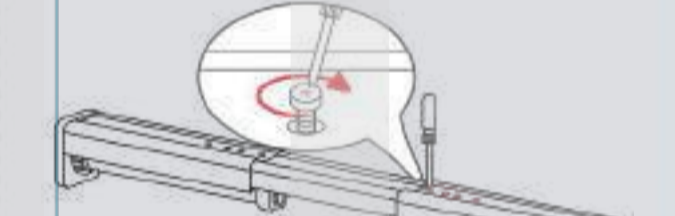


4 Använd en hammare för att installera ankare och fäst monteringsfästena med expansionskruror.

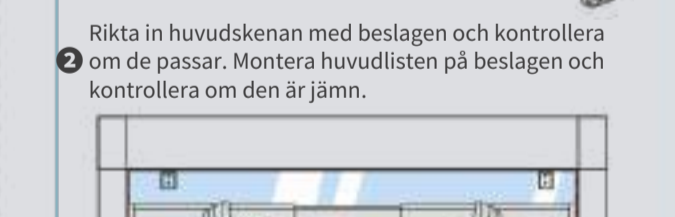


Kontrollera om huvudlisten kan monteras korrekt.

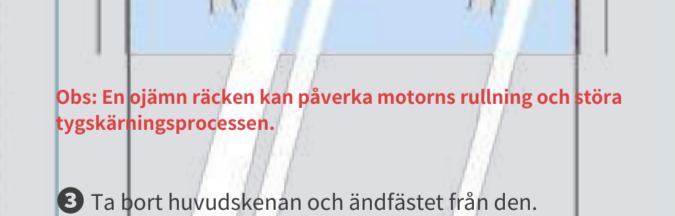
1 Dra åt alla skruvar på huvudskenan.



2 Rikta in huvudskenan med beslagen och kontrollera om de passar. Montera huvudlisten på beslagen och kontrollera om den är jämn.



Obs: En ojämn räcken kan påverka motorns rullning och störa tygkärningsprocessen.



SwitchBot Fensterrollo

Benutzerhandbuch

Bitte lesen Sie dieses Benutzerhandbuch sorgfältig durch, bevor Sie Ihr Gerät verwenden.

Scannen Sie den QR-Code, um die Bedienungsanleitung auf Deutsch, Französisch, Spanisch, Niederländisch und Italienisch zu erhalten.

<https://www.switch-bot.com/pages/switchbot-user-manual>



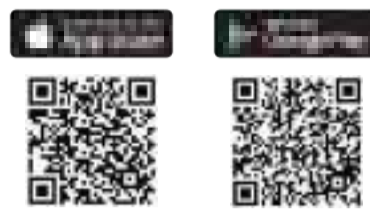
Benutzerhandbuch

Vorbereitung

Du wirst brauchen:

- Ein Smartphone oder Tablet, das Bluetooth 4.2 oder höher verwendet.
- Die neueste Version unserer App kann über den Apple App Store oder den Google Play Store heruntergeladen werden.
- Ein SwitchBot-Konto. Sie können sich über unsere App registrieren oder sich direkt in Ihr Konto einloggen, falls Sie bereits eines haben.

Bitte beachten Sie: Wenn Sie Dienste von Drittanbietern wie Alexa nutzen möchten, benötigen Sie einen SwitchBot Hub (separat erhältlich).

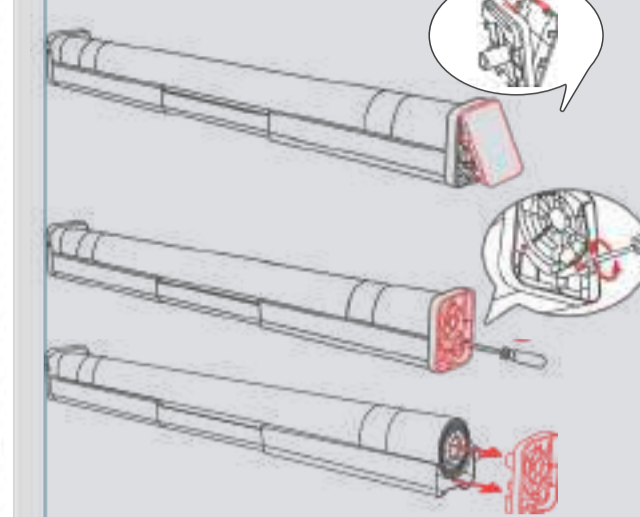


Systemanforderungen für iOS und Android: <https://support.switch-bot.com/hc/en-us/articles/12567397397271>

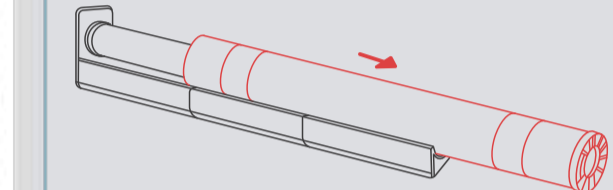


A Äußerer Fensterrahmen

Entfernen Sie die Abdeckung der Endhalterung, schrauben Sie dann die Halterung ab und entfernen Sie sie.



2 Entfernen Sie die Stoffrolle.



3 Montieren Sie die Endhalterung, ohne die Schrauben festzuziehen.

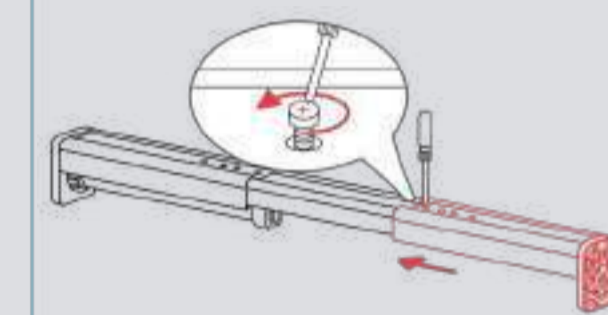


4 Bestimmen Sie, ob die Größe der Oberschiene entsprechend der Breite Ihres Fensters angepasst werden soll.

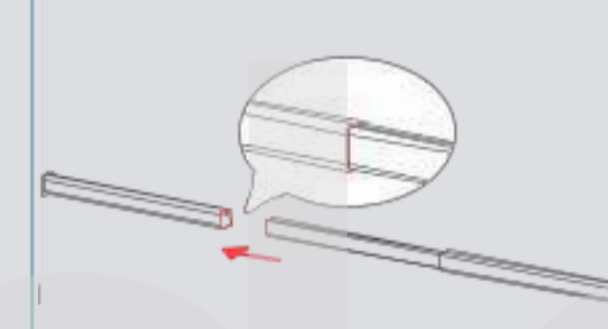
Tipp: Für einen besseren Schatteneffekt empfiehlt es sich, auf beiden Seiten einen Rand von mindestens 2,5 cm (0,9 Zoll) freizuhalten.



Hinweis: Zum Einstellen die Einstellschrauben der Oberschiene teilweise lösen und nach Abschluss der Einstellung wieder festziehen.

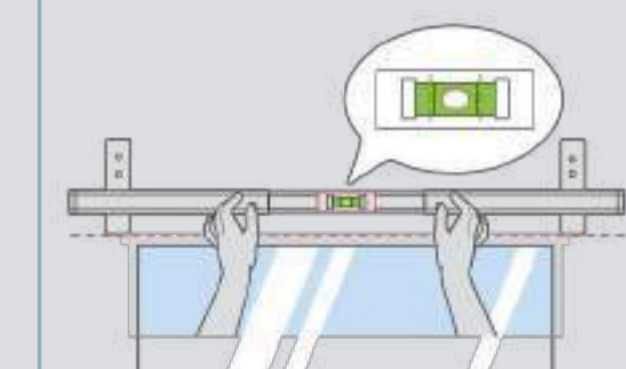


5 Montieren Sie den unteren Balken wie gezeigt.



Bestimmen Sie die Position der Montagehalterungen.

1 Passen Sie die untere Leiste wie gezeigt an.

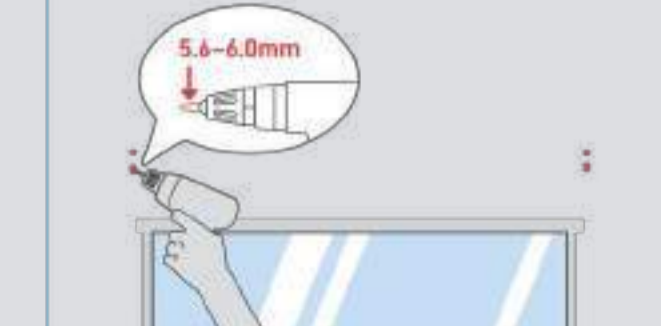


2 Halten Sie die untere Stange waagrecht und markieren Sie die Positionen Ihrer Montagehalterungen.



Hinweis: Stellen Sie sicher, dass die Blase in der Wasserwaage zwischen den beiden schwarzen Markierungen bleibt.

3 Bohren Sie vier Löcher mit einer Tiefe von mehr als 3 cm (1,2 Zoll). Bohrgröße: 5,6 bis 6 mm (0,22 bis 0,23 Zoll)

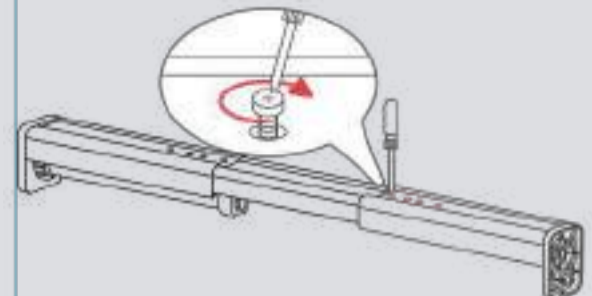


4 Verwenden Sie einen Hammer, um Anker einzubauen und befestigen Sie die Montagehalterungen mit Dehnschrauben.



Prüfen Sie, ob sich die Hauptleiste korrekt montieren lässt.

1 Ziehen Sie alle Schrauben an der Hauptleiste fest.



2 Richten Sie die Hauptleiste an den Beschlägen aus und prüfen Sie, ob diese passen. Montieren Sie die Hauptleiste auf den Beschlägen und prüfen Sie, ob sie waagrecht sitzt.

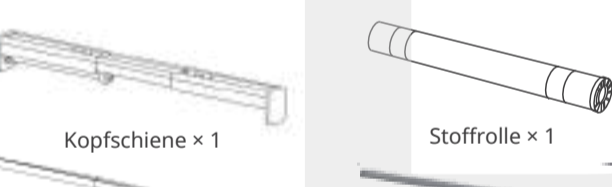


Hinweis: Eine unebene Kopfschiene kann den Lauf des Motors beeinträchtigen und den Stoffschneidevorgang stören.

3 Entfernen Sie die Hauptleiste und die Endhalterung davon.



Packungsinhalt



Kopfschiene x 1
Stoffrolle x 1



Untere Leiste (3 Teile) x 1
Kunststoffband x 1



Schneider x 1
Kabelabdeckung x 1
Controller x 1



Endkappe x 1
Kleine Schraubenpackung x 1
Dehnschraubenpaket x 1

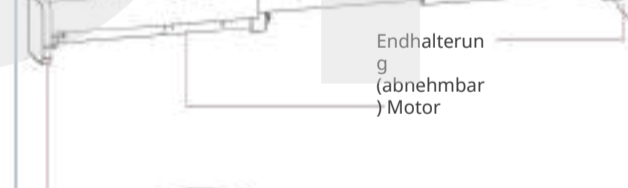


Positionierungskarte x 2
Montagehalterung x 2
Schraubendreher x 1



Hefter x 1
Füllstandsanzeige x 1
Gewebeband x 2

Liste der Komponenten



Installation

Scannen Sie den QR-Code, um das Installationsvideo anzusehen.



Schritt 1: Fügen Sie Ihren Fensterrollo zu unserer App hinzu

Öffnen Sie unsere App und melden Sie sich an. Tippen Sie auf das „+“-Symbol in der oberen rechten Ecke der Startseite, wählen Sie „Gerät hinzufügen“; wählen Sie das Rollosymbol und folgen Sie den Anweisungen zum Hinzufügen Ihres Geräts.

Schritt 2: Packungsinhalt prüfen und Werkzeuge bereitlegen

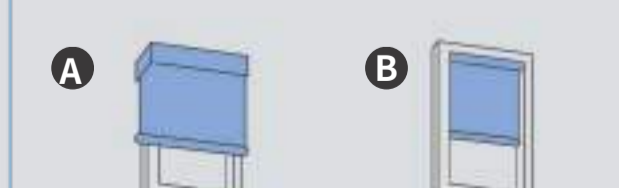
Werkzeuge: Bohrmaschine, Schere, Bleistift, Maßband, Hammer, Leiter



Empfohlene Mitarbeiteranzahl: 2 bis 3
Dauer: 30 bis 40 Minuten

Schritt 3: Kopfschiene anpassen und Montagehalterungen installieren

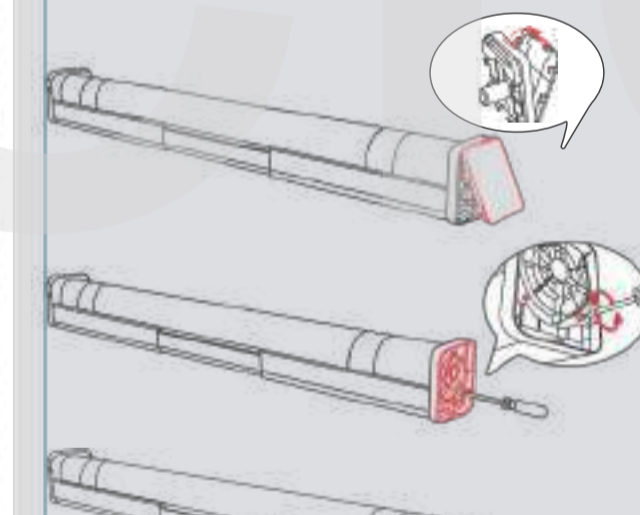
Bestimmen Sie den Installationsstandort.



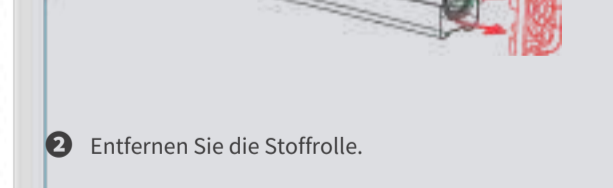
Äußerer Fensterrahmen
Innenfensterrahmen

B Innenfensterrahmen

1 Entfernen Sie die Abdeckung der Endhalterung, schrauben Sie dann die Halterung ab und entfernen Sie sie.



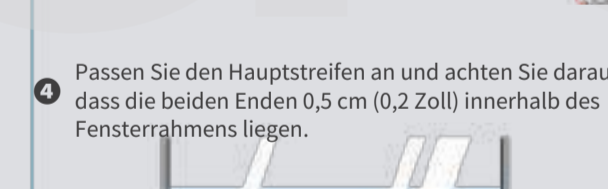
2 Entfernen Sie die Stoffrolle.



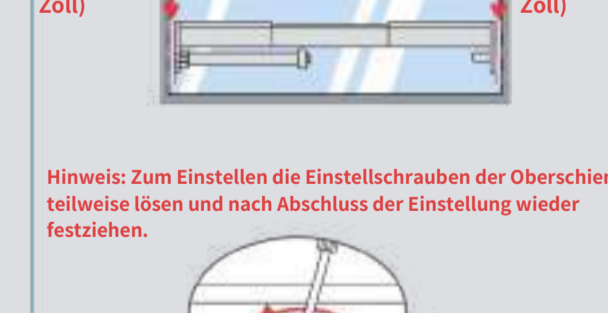
3 Montieren Sie die Endhalterung, ohne die Schrauben festzuziehen.



4 Passen Sie den Hauptstreifen an und achten Sie darauf, dass die beiden Enden 0,5 cm (0,2 Zoll) innerhalb des Fensterrahmens liegen.



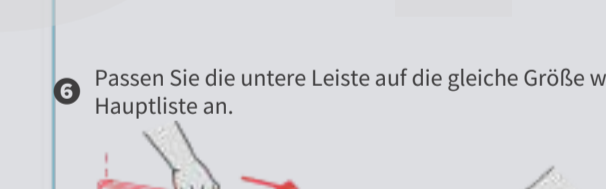
Hinweis: Zum Einstellen die Einstellschrauben der Oberschiene teilweise lösen und nach Abschluss der Einstellung wieder festziehen.



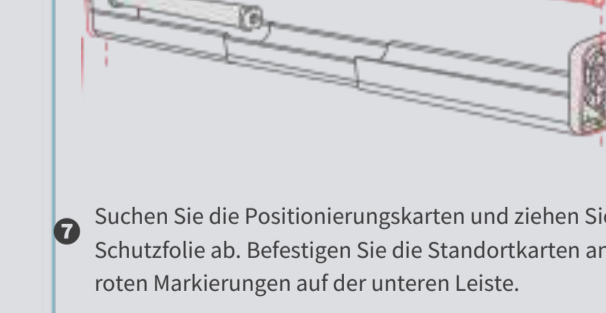
5 Montieren Sie den unteren Balken wie gezeigt.



6 Passen Sie die untere Leiste auf die gleiche Größe wie die Hauptleiste an.

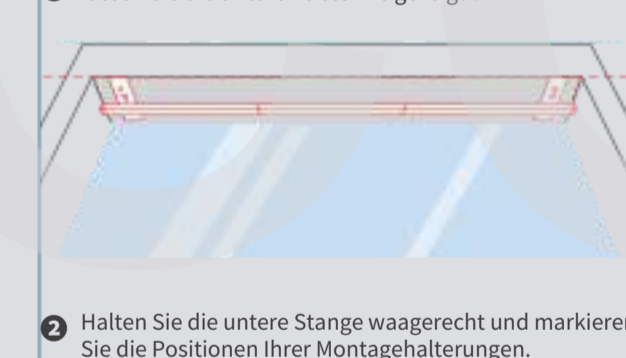


7 Suchen Sie die Positionierungskarten und ziehen Sie die Schutzfolie ab. Befestigen Sie die Standortkarten an den roten Markierungen auf der unteren Leiste.



Bestimmen Sie die Position der Montagehalterungen.

1 Passen Sie die untere Leiste wie gezeigt an.



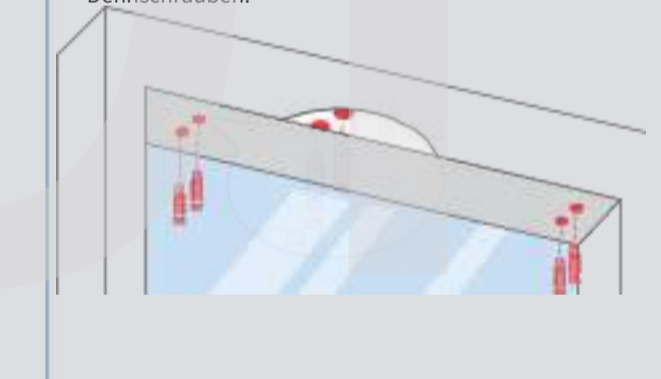
2 Halten Sie die untere Stange waagrecht und markieren Sie die Positionen Ihrer Montagehalterungen.



3 Bohren Sie vier Löcher mit einer Tiefe von mehr als 3 cm (1,2 Zoll). Bohrgröße: 5,6 bis 6 mm (0,22 bis 0,23 Zoll)



4 Verwenden Sie einen Hammer, um Anker einzubauen und befestigen Sie die Montagehalterungen mit Dehnschrauben.



Prüfen Sie, ob sich die Hauptleiste korrekt montieren lässt.

1 Ziehen Sie alle Schrauben an der Hauptleiste fest.



2 Richten Sie die Hauptleiste an den Beschlägen aus und prüfen Sie, ob diese passen. Montieren Sie die Hauptleiste auf den Beschlägen und prüfen Sie, ob sie waagrecht sitzt.

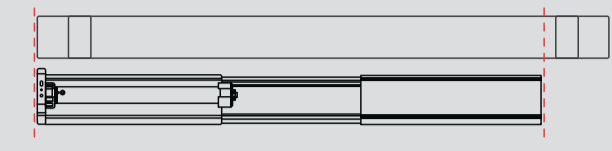


Hinweis: Eine unebene Kopfschiene kann den Lauf des Motors beeinträchtigen und den Stoffschneidevorgang stören.

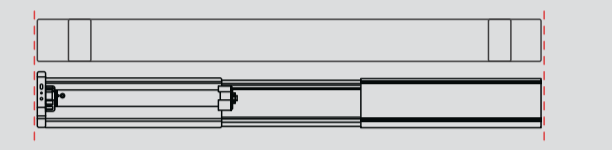
3 Entfernen Sie die Hauptleiste und die Endhalterung davon.



Schritt 4: Entscheiden Sie, ob Sie den Stoff zuschneiden möchten.



Schneiden Sie den überschüssigen Stoff ab, wenn die Kopfschiene geändert wird.



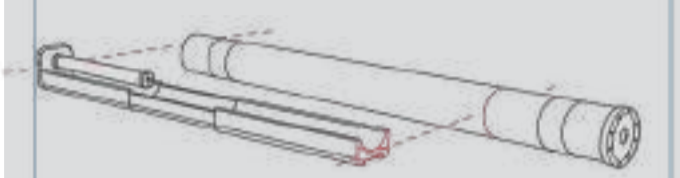
Überspringen Sie die Schritte 5 und 6, wenn Sie die Größe der Kopfleiste nicht geändert haben.

Schritt 5: Passen Sie die Größe des Stoffes an. Vorbereitung

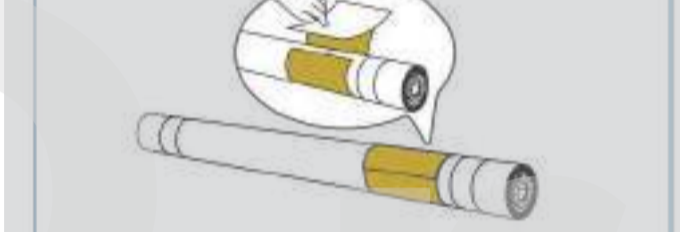


Hinweis: Bewahren Sie die Etiketten intakt auf.

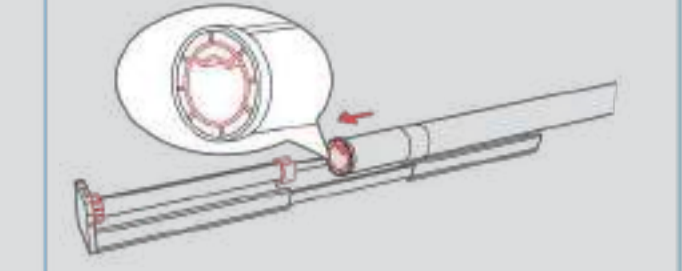
1 Bestimmen Sie die Schnittposition auf der Stoffrolle entsprechend der Größe des Hauptgeländers.



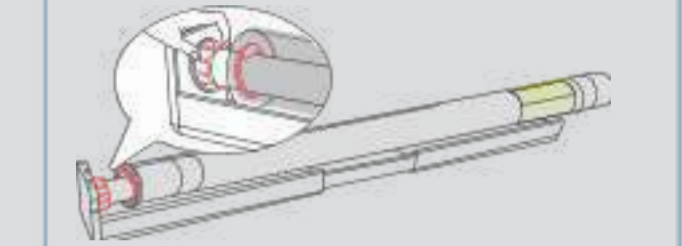
2 Um ein Verrutschen des Stoffes während des Schneidevorgangs zu verhindern, wickeln Sie das Stoffband fest um die Schnittstelle.



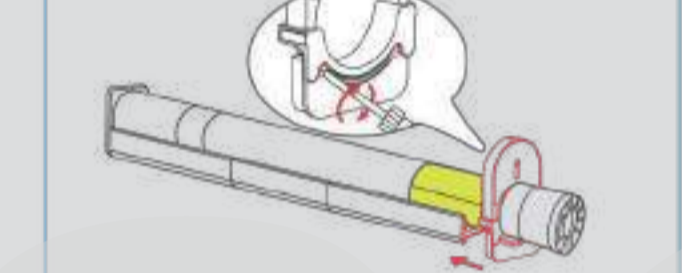
3 Führen Sie die Stoffrolle auf die Hauptleiste, bis sie an ihrem Platz ist.



Hinweis: Passen Sie die markierten Teile so an, dass die Stoffrolle eingeschoben werden kann.



4 Installieren Sie den Router und ziehen Sie die Schrauben fest.

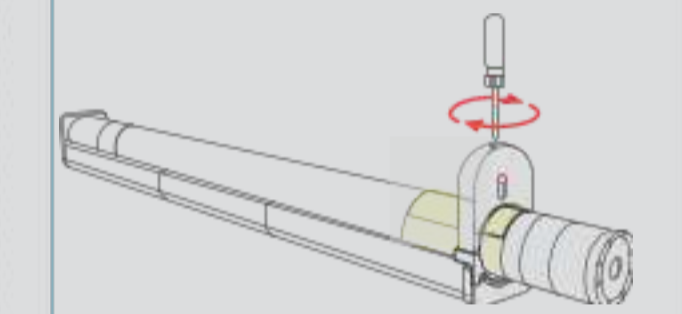


Beginnen Sie mit dem Zuschneiden des Stoffes

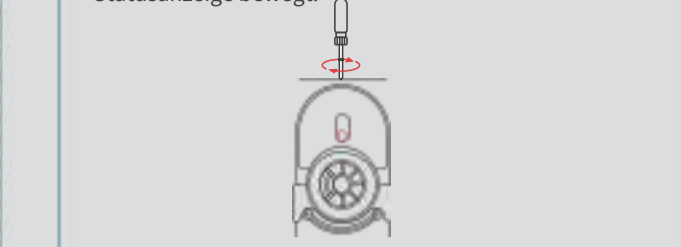
1 Gehen Sie über die App auf die Stoffzuschnitt-Seite. Während des Stoffschneidens rollt Ihr Rollo mit konstanter Geschwindigkeit. Drücken Sie im Notfall die Schaltfläche „Gerät hinzufügen“ auf dem Gerät oder drücken Sie in unserer App auf „Pause“, um den Vorgang zu stoppen.



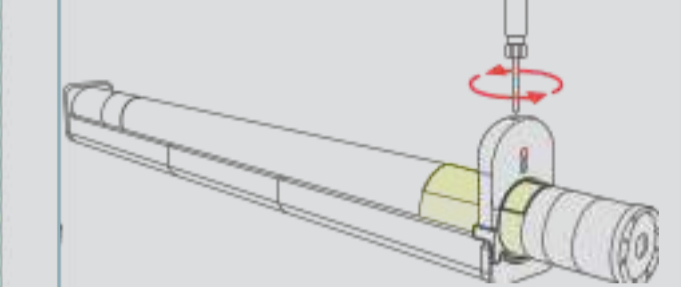
2 Platzieren Sie die Hauptleiste wie gezeigt. Drücken Sie über unsere App auf Start, um den Motor zu starten. Führen Sie dann einen Schraubendreher in den oberen Anschluss ein und drehen Sie ihn im Uhrzeigersinn.



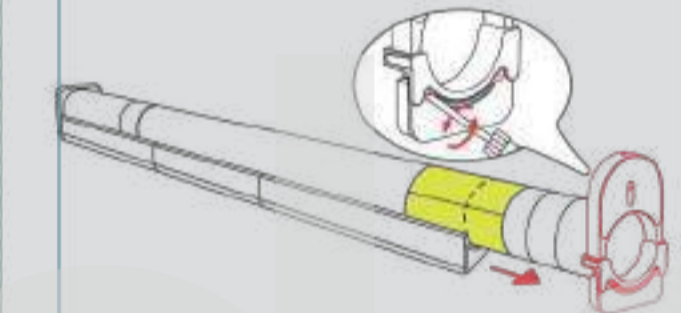
3 Hören Sie auf, den Schraubendreher zu drehen, wenn Sie sehen, dass sich die Anzeige zum anderen Ende der Statusanzeige bewegt.



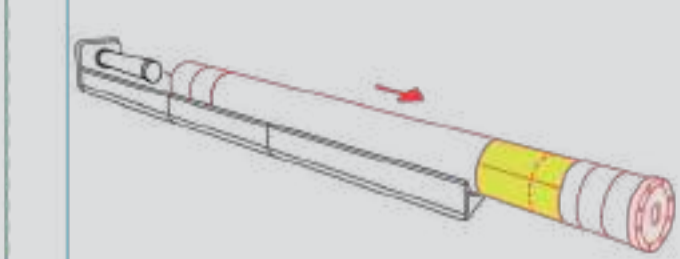
4 Drehen Sie Ihren Schraubendreher gegen den Uhrzeigersinn, bis die Anzeige in ihre ursprüngliche Position zurückkehrt.



5 Den Fräser entfernen.



6 Entfernen Sie die Stoffrolle.

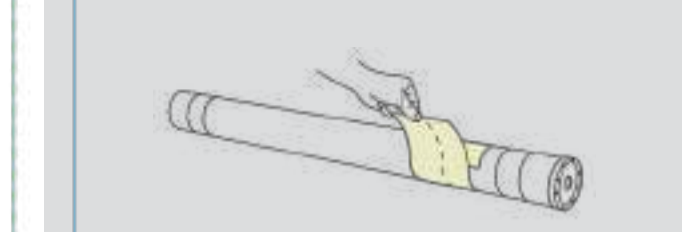


Hinweis: Wenn Sie die Größe des Stoffes erneut ändern müssen, scannen Sie bitte den QR-Code und sehen Sie sich das Video an.



Schritt 6: Passen Sie die geänderte Größe der Stoffrolle an.

1 Entfernen Sie Endkappen, Etiketten und Gewebeklebeband (falls vorhanden).

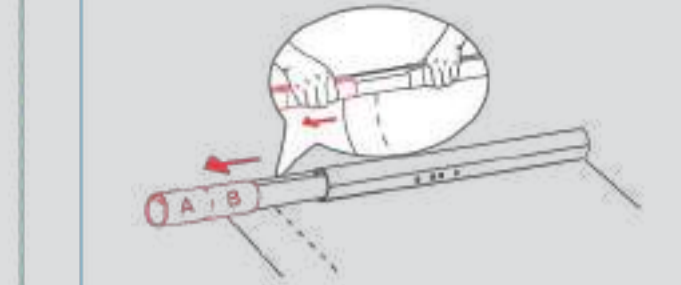


2 Breiten Sie den Stoff flach aus und entfernen Sie das Klebeband.

Hinweis: Sie können den überschüssigen Stoff später zuschneiden.



3 Entfernen Sie das Plastikrohr.

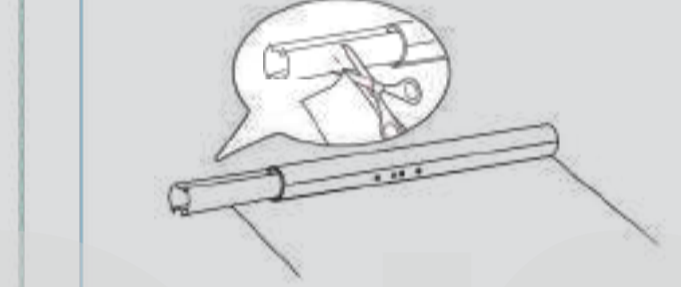


4 Brechen oder schneiden Sie das Rohr entlang der Schnittmarkierung. Sie erhalten zwei Rohrstücke. Speichern Sie den angegebenen B-Abschnitt zur späteren Verwendung.

Tipp: Eventuelle Grate am Rohr mit einer Schere abschneiden.

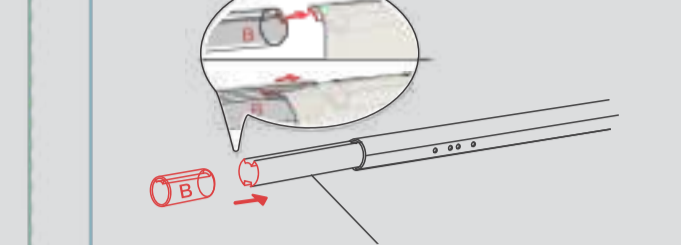


5 Schneiden Sie den überschüssigen Stoff ab.

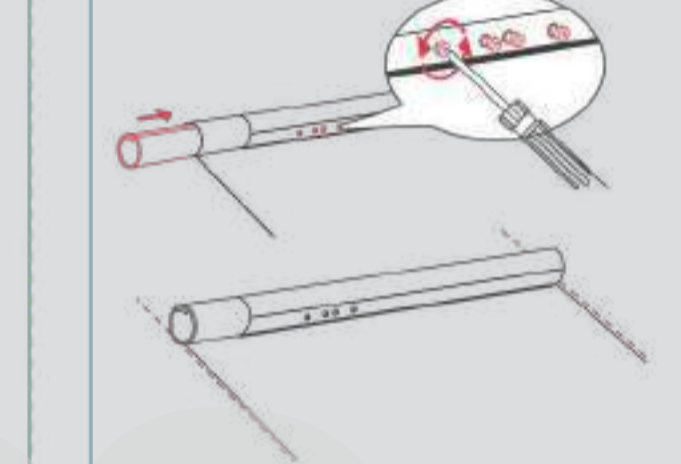


6 Um den Stoff zu fixieren, ziehen Sie den Schlauchabschnitt B zurück.

Hinweis: Schauen Sie sich bei Bedarf das Installationsvideo an.

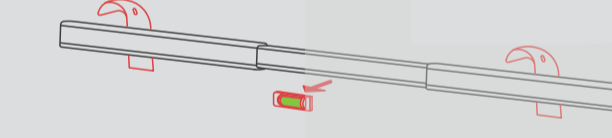


7 Die Schrauben am Siebrohr teilweise lösen und entsprechend der Stoffgröße anpassen. Halten Sie die Stoffkanten während der Anpassung flach. Nach der Einstellung die Schrauben festziehen.

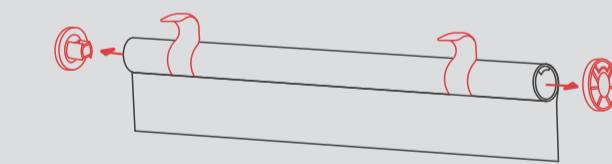


Schritt 7: Bauen Sie das Gerät zusammen. Installieren Sie die Stoffrolle.

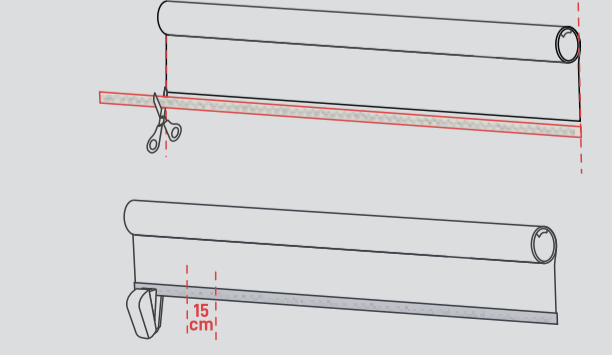
1 Entfernen Sie die Positionierungskarten und die Wasserwaage (sofern vorhanden) vom unteren Balken.



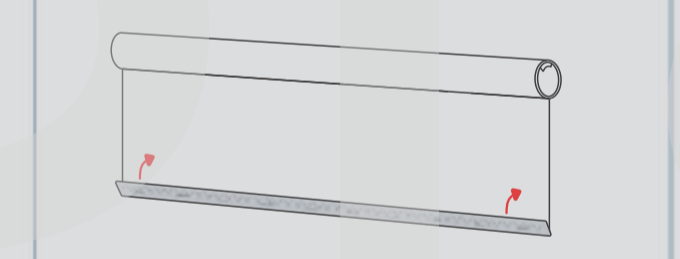
2 Entfernen Sie die Etiketten und Endkappen.



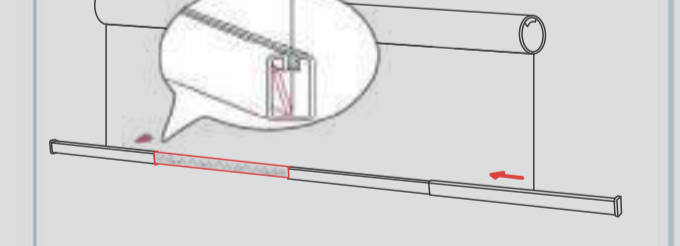
3 Befestigen Sie das Kunststoffband mit dem mitgelieferten Tacker an der Stoffkante. Hinweis: Schneiden Sie das Band bei Bedarf auf die entsprechende Größe zu.



4 Falten Sie das Plastikband nach oben.

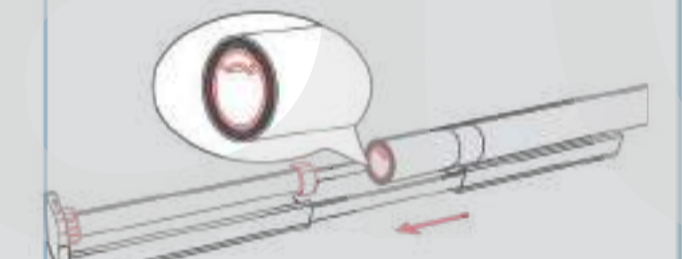


5 Trennen Sie die untere Stange und legen Sie die beiden Teile an die Stoffkante.

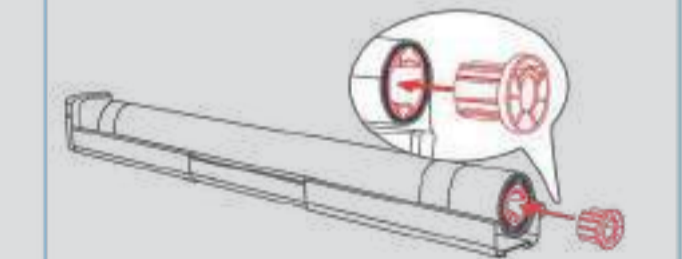


Alle Teile zusammenbauen.

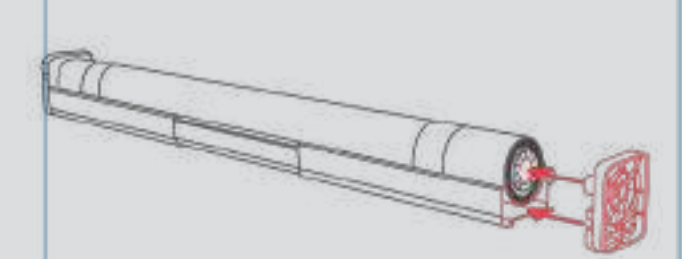
1 Führen Sie die Stoffrolle auf die Hauptbahn.



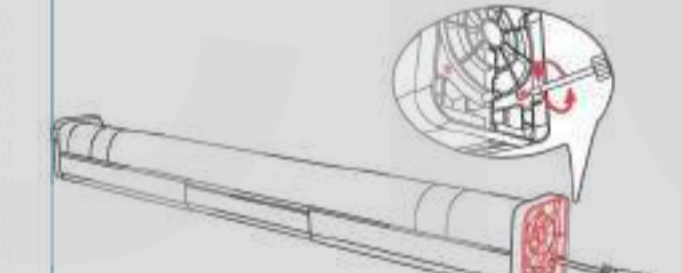
2 Befestigen Sie die Endkappe.



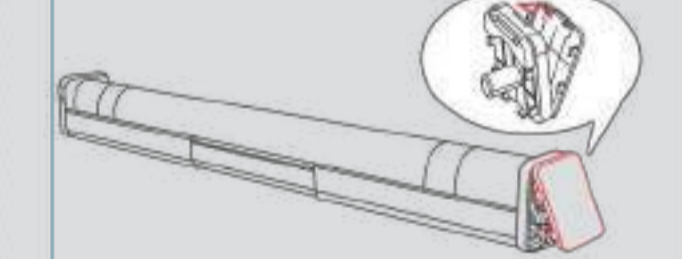
3 Installieren Sie die Endhalterung.



4 Entfernen Sie die Abdeckung und ziehen Sie die Schrauben an der Endhalterung fest.

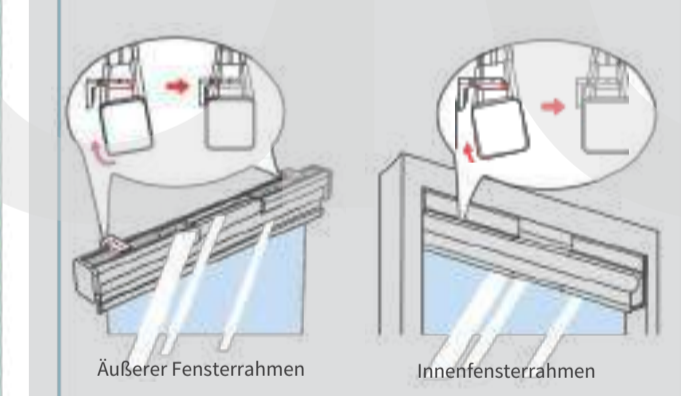


5 Schließen Sie die Halterungsabdeckung.



Schritt 8: Montieren Sie das Gerät an Ihrem Fensterrahmen.

Klemmen Sie den Hauptstreifen auf die Montagehalterungen, bis Sie ein Klicken hören.



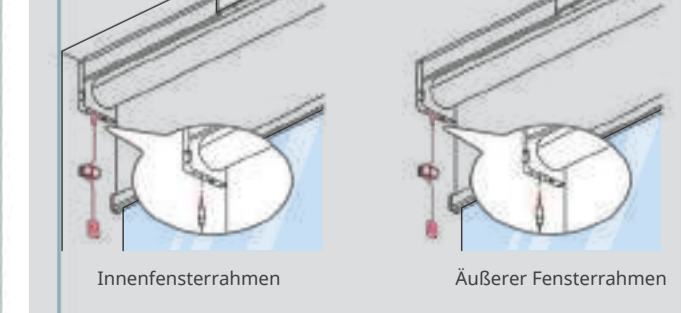
(Optional) Installieren Sie den Controller.

Hinweis: Nach Abschluss der Kalibrierung kann der Controller verwendet werden.

1 Schließen Sie den Controller an den unteren rechten Anschluss Ihres Geräts an.

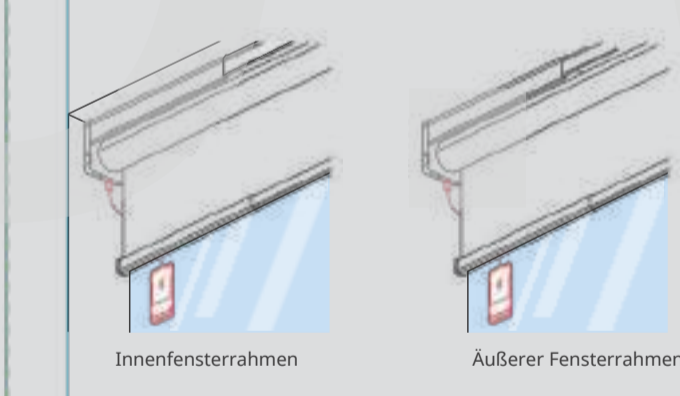
2 Befestigen Sie die Kabelabdeckung an einer geeigneten Stelle.

3 Wickeln Sie das Controllerkabel darum.



(Optional) Solarpanel installieren.

Befestigen Sie das Solarpanel an einem Glas mit direkter Sonneneinstrahlung. Schließen Sie das Kabel an den Typ-C-Anschluss an der Unterseite der Hauptschiene an. Ordnen Sie Ihr Kabel, um Störungen zu vermeiden.



Schritt 9: Kalibrieren Sie Ihren Rollläden

Kalibrieren Sie die Route für Ihren Rollläden, wie in der App angegeben.

Benutzerhandbuch

App Steuerung
Wir bieten intuitive App-Steuerungen für iOS- und Android-Systeme, die basierend auf Benutzerfeedback wöchentlich oder zweiwöchentlich aktualisiert werden. Für ein besseres Benutzererlebnis unterstützen wir auch OTA-Firmware-Upgrades.

Regler
Sobald die Kalibrierung abgeschlossen ist, drücken Sie lange auf die Taste auf Ihrem Controller, um Ihr Rollo nach oben oder unten zu bewegen. Sie können Ihr Gerät auch aufladen, indem Sie es über den Typ-C-Anschluss am Controller an einen 5-V-1A/2A-Adapter anschließen.

Laden
Das vollständige Aufladen des Akkus Ihres Geräts dauert etwa 8 Stunden und kann nach einer vollständigen Aufladung bis zu 8 Monate halten. Sie können auch das SwitchBot-Solarpanel kaufen, um es mit Sonnenlicht aufzuladen.
1. Zum Aufladen Ihres Geräts ist ein 5-V-1A-Adapter erforderlich.
2. Die Batterielebensdauer wird unter folgenden Bedingungen getestet: einer Umgebungstemperatur von 25°C, eine Höhe von 2 Metern, ein Produktgewicht von 4 kg, und einmal täglich auf und ab rollen. Die tatsächliche Akkulaufzeit kann je nach Nutzung variieren.
3. Mit nur 4 Stunden pro Tag. Bei Sonneneinstrahlung, die einen klaren Schatten spenden kann, kann unser neues SwitchBot-Solarpanel genügend Strom erzeugen, um Ihren SwitchBot-Rollläden für immer mit Strom zu versorgen.

Werkreset
Halten Sie die Taste „Gerät hinzufügen“ 15 Sekunden lang gedrückt, bis die Anzeigelampe von Blinken auf Dauerleuchten wechselt, und lassen Sie dann die Taste los.
Neustarts
Drücken Sie mit einer Büroklammer kurz die Neustart-Taste und warten Sie, bis die Kontrollleuchte blinkt.

LED Anzeige

LED Anzeige	Beschreibung:
Blinkt schnell weiß	Das Gerät stellt eine Verbindung zum Netzwerk her.
Blinkt langsam und gleichmäßig weiß	Das Firmware-Upgrade wird ausgeführt.
Langsames Blinken	Das Gerät wird geladen.

Geräteeinstellungen

Lichtsensor (Solarpanel)
Indem Sie Ihren Rollo mit dem SwitchBot-Solarpanel (separat erhältlich) verbinden, können Sie Automatisierungen basierend auf Lichtstärkeperioden einrichten. Die Lichtstärkekurve zeigt die besten Sonnenlichtperioden, sodass Sie einen automatischen Ladeplan festlegen können.

Verzögerung
Sie können eine Countdown-Aktion festlegen und den Prozentsatz für das Öffnen oder Schließen angeben.

Zeitpläne
Sie können bis zu 5 Zeitpläne für Ihr Gerät einrichten und Tag, Uhrzeit und Prozentsatz für das Öffnen oder Schließen angeben.

Firmware Upgrades

Um das Benutzererlebnis zu verbessern, veröffentlichen wir regelmäßig Firmware-Updates, um neue Funktionen einzuführen und etwaige Softwarefehler zu beheben, die während der Verwendung auftreten können. Wenn eine neue Firmware-Version verfügbar ist, senden wir über unsere App eine Upgrade-Benachrichtigung an Ihr Konto. Achten Sie beim Upgrade darauf, dass Ihr Produkt über ausreichend Akkuleistung verfügt und eingeschaltet bleibt, und stellen Sie sicher, dass sich Ihr Smartphone in Reichweite befindet, um Störungen zu vermeiden.

Häufig gestellte Fragen

Besuchen Sie unsere Website oder scannen Sie den untenstehenden QR-Code, um weitere Informationen zu erhalten.
<https://support.switch-bot.com/hc/en-us/categories/22307951443863>



Technische Daten

Material: Aluminiumlegierungen + ABS
Stoff: Polyester
Hauptgeländer: 82 x 72 x 580-800 mm (3,2 x 2,8 x 22,8-31,5 Zoll) M: 82 x 72 x 800-1100 mm (3,2 x 2,8 x 31,5-43,3 Zoll) L: 82 x 72 x 1100-1400 mm (3,2 x 2,8 x 43,3-55,1 Zoll)
XL: 82 x 72 x 1400-1850 mm (3,2 x 2,8 x 51,1-72,8 Zoll)

Stromversorgung: 5 V 1 A DC Typ-C-Adapter, 2600 mAh Lithiumbatterie
Batterielebensdauer: 8 Monate oder unbegrenzt mit einem Solarpanel
Maximale Belastung: 4 kg (9 lbs) (Vorhänge (Festdaten))
Betriebstemperatur: 0 °C bis 40 °C (32 °F bis 100 °F)
Betriebstemperatur: 5 % *F bis 9 % relative Luftfeuchtigkeit
Konnektivität: Bluetooth Low Energy

Garantie

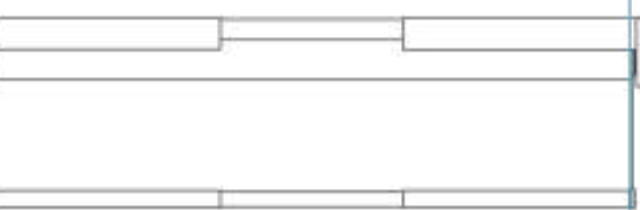
Wir garantieren dem ursprünglichen Eigentümer des Produkts, dass das Produkt frei von Material- und Verarbeitungsfehlern ist. Bitte beachten Sie, dass diese eingeschränkte Garantie Folgendes nicht abdeckt:
1. Produkte, die nach Ablauf der ursprünglichen beschränkten Garantiedauer eingereicht werden.
2. Produkte, bei denen eine Reparatur oder Änderung versucht wurde.
3. Produkte, die Stürzen, extremen Temperaturen, Wasser oder anderen Betriebsbedingungen ausgesetzt waren, die außerhalb der Produktspezifikationen liegen.
4. Schäden durch Naturkatastrophen (einschließlich, aber nicht beschränkt auf Blitzschlag, Überschwemmung, Tornado, Erdbeben oder Hurrikan usw.).
5. Schäden durch Missbrauch, Fahrlässigkeit oder Unfall (z. B. Feuer).
6. Sonstige Schäden, die nicht auf Mängel bei der Herstellung der Produktmaterialien zurückzuführen sind.
7. Produkte, die bei nicht autorisierten Einzelhändlern gekauft wurden.
8. Verbrauchsteile (einschließlich, aber nicht beschränkt auf Batterien).
9. Natürlicher Verschleiß des Produkts.

Kontakt & Support

Feedback: Wenn Sie bei der Verwendung unserer Produkte Bedenken oder Probleme haben, senden Sie uns bitte über unsere App über die Seite „Profil“ > „Support“ Feedback.
Einrichtung und Fehlerbehebung: support.switch-bot.com
Support-E-Mail: support@switch-bot.com

SwitchBot Rolgordijn

gebruikershandleiding



Lees deze gebruikershandleiding zorgvuldig door voordat u uw apparaat gebruikt.

Scan de QR-code om de gebruikershandleiding in het Duits, Frans, Spaans, Nederlands en Italiaans te downloaden.

<https://www.switch-bot.com/pages/switchbot-user-manual>



gebruikershandleiding

Vorbereitung

Wat heb je nodig:

- Een smartphone of tablet met Bluetooth 4.2 of hoger.
- De nieuwste versie van onze app kunt u downloaden in de Apple App Store of de Google Play Store.
- Een SwitchBot-account. U kunt zich registreren via onze app of rechtstreeks inloggen op uw account als u er al een heeft.

Let op: als u gebruik wilt maken van diensten van derden, zoals Alexa, hebt u een SwitchBot Hub nodig (apart verkrijgbaar).

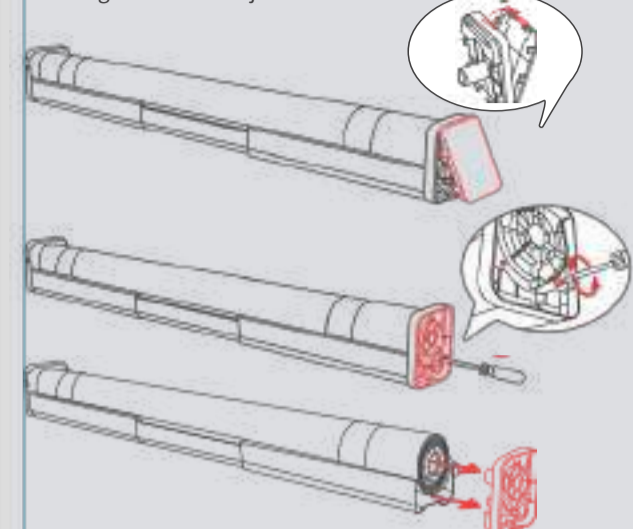


Systeemvereisten voor iOS en Android:
<https://support.switch-bot.com/hc/en-us/articles/1256739739271>

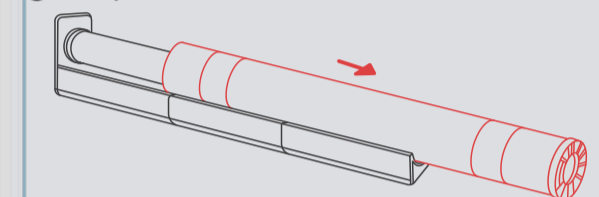


A Buitenste raamkozijn

1 Verwijder de afdekking van de eindbeugel, schroef de beugel los en verwijder deze.



2 Verwijder de rol stof.



3 Monteer de eindbeugel zonder de schroeven vast te draaien.

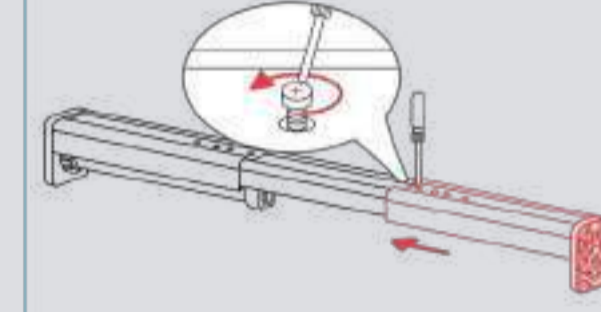


4 Bepaal of de maat van de bovenrail moet worden aangepast aan de breedte van uw raam.

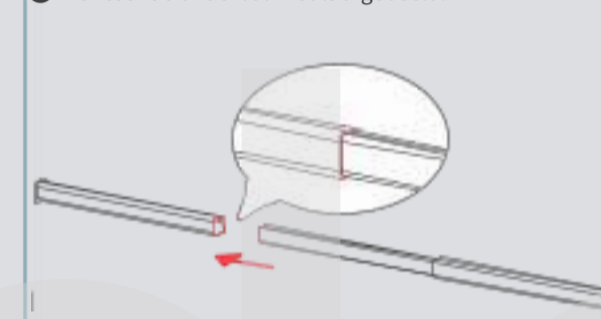
Tip: Voor een beter schaduw effect raden we aan om aan beide kanten een rand van minimaal 2,5 cm (0,9 inch) over te laten.



Let op: Om af te stellen, draait u de afstelschroeven op de bovenste rail gedeeltelijk los en draait u ze na het voltooiën van de afstelling weer vast.

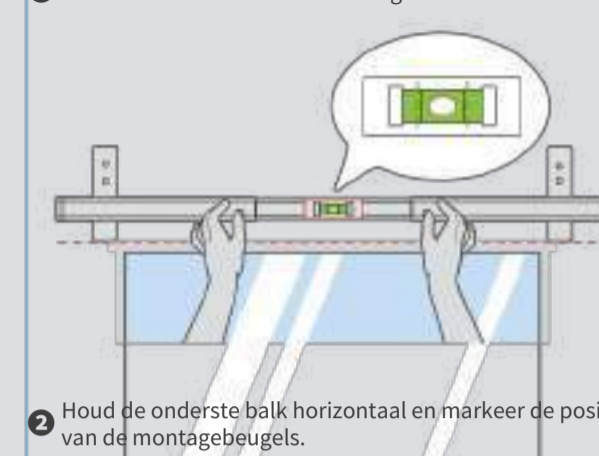


5 Monteer de onderbalk zoals afgebeeld.

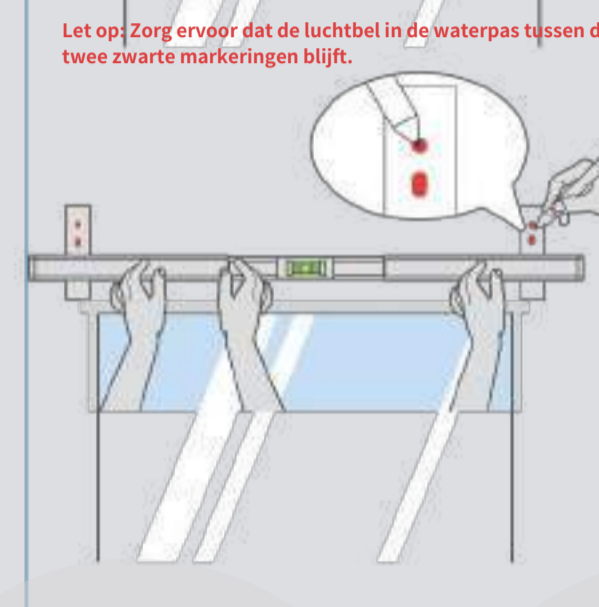


Bepaal de positie van de montagebeugels.

1 Pas de onderste balk aan zoals afgebeeld.



2 Houd de onderste balk horizontaal en markeer de posities van de montagebeugels.

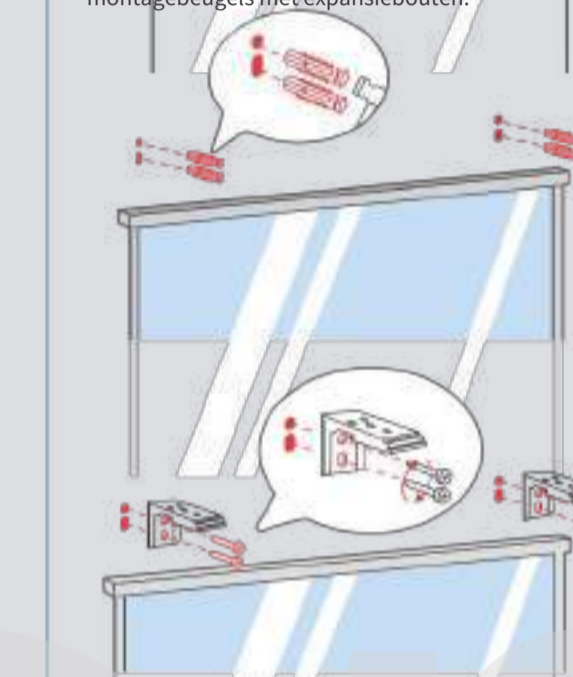


Let op: Zorg ervoor dat de luchtbel in de waterpas tussen de twee zwarte markeringen blijft.

3 Boor vier gaten die dieper zijn dan 3 cm (1,2 inch). Boormaat: 5,6 tot 6 mm (0,22 tot 0,23 inch)

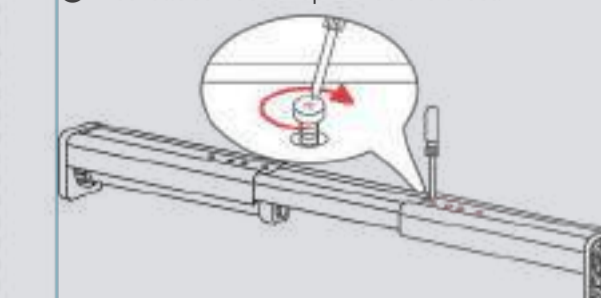


4 Plaats de ankers met een hamer en bevestig de montagebeugels met expansiebouten.



Controleer of de hoofdbalk correct kan worden geïnstalleerd.

1 Draai alle schroeven op de hoofd rail vast.

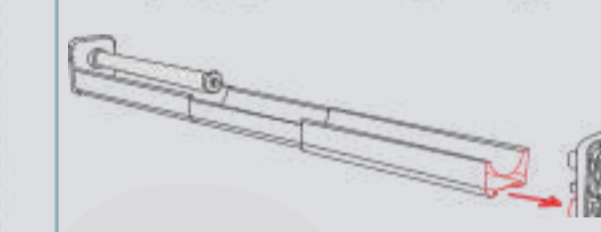


Lijn de hoofd rail uit met de fittingen en controleer of ze passen. Monteer de hoofd stang op de fittingen en controleer of deze waterpas is.

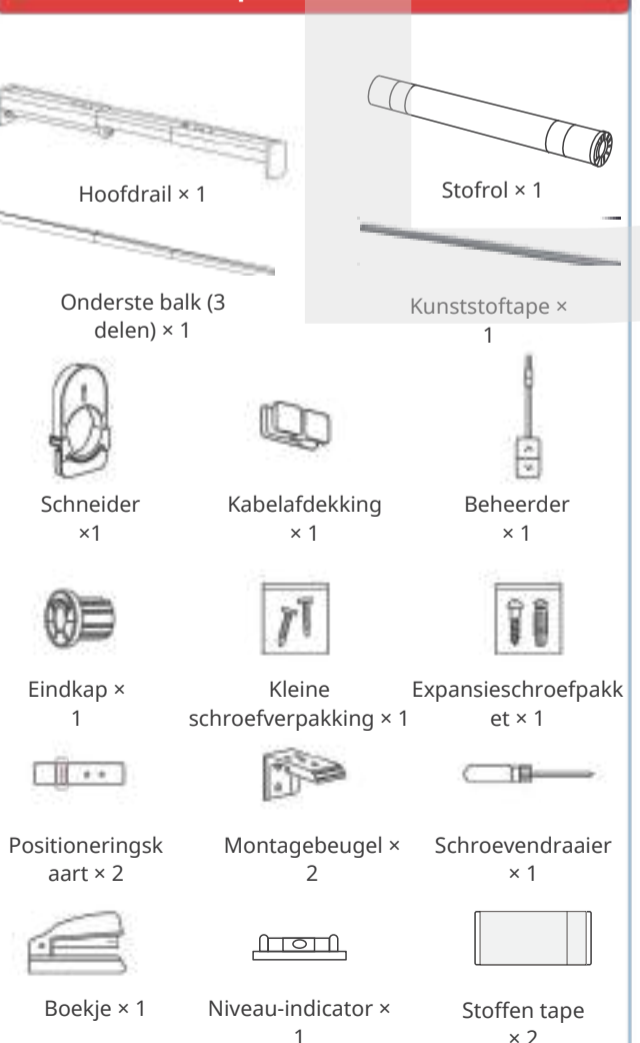


Let op: Een ongelijke boven rail kan de werking van de motor beïnvloeden en het snijproces van de stof verstoren.

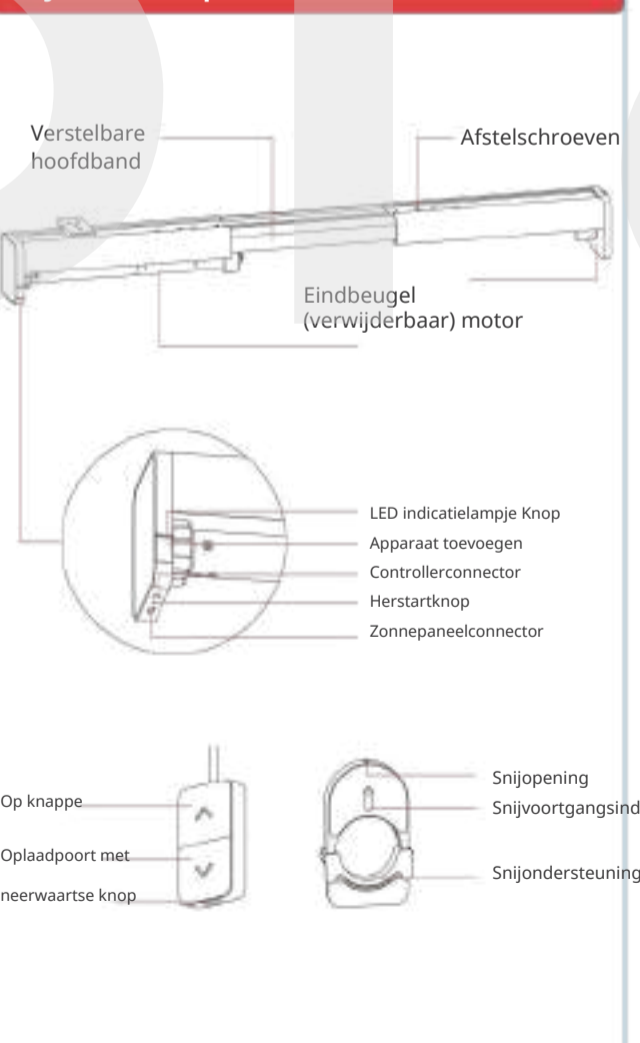
3 Verwijder de hoofd rail en de eind beugel.



Inhoud van het pakket



Lijst met componenten



Installatie



Stap 1: Voeg uw raamdecoratie toe aan onze app

Open onze app en log in. Tik op het "+"-icoontje in de rechterbovenhoek van het startscherm, selecteer "Apparaat toevoegen", selecteer het rolgordijnicoontje en volg de instructies om uw apparaat toe te voegen.



Stap 2: Controleer de inhoud van het pakket en bereid het gereedschap voor

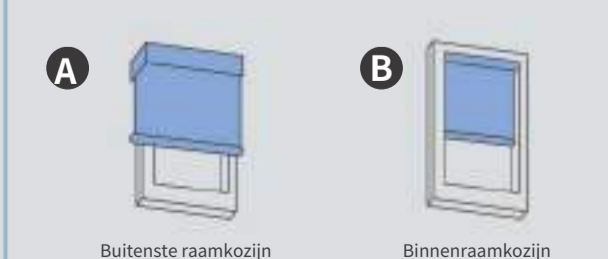
Gereedschap: boormachine, schaar, potlood, rolmaat, hamer, ladder



Aanbevolen aantal deelnemers: 2 tot 3
Duur: 30 tot 40 minuten

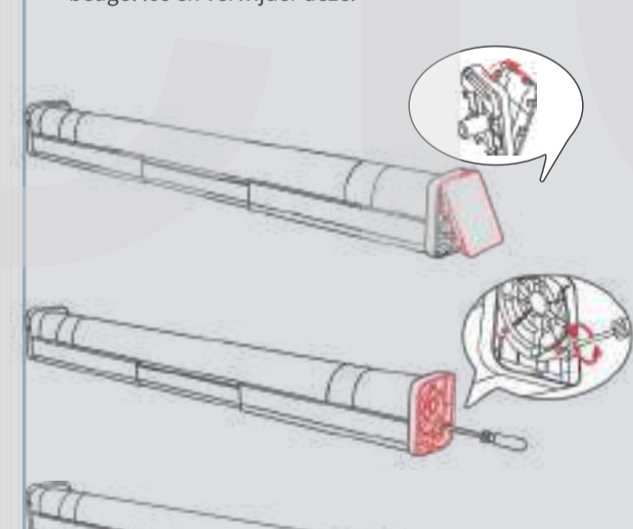
Stap 3: Pas de koprail aan en monteer de montagebeugels

Beste installatiestijl.

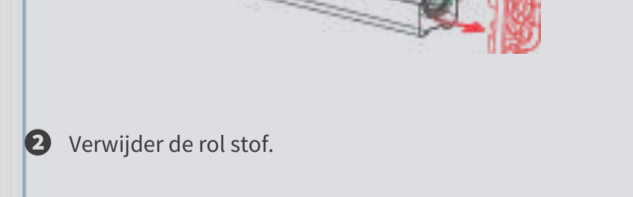


B Binnenraamkozijn

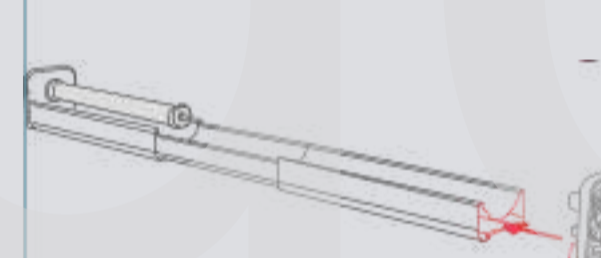
1 Verwijder de afdekking van de eindbeugel, schroef de beugel los en verwijder deze.



2 Verwijder de rol stof.



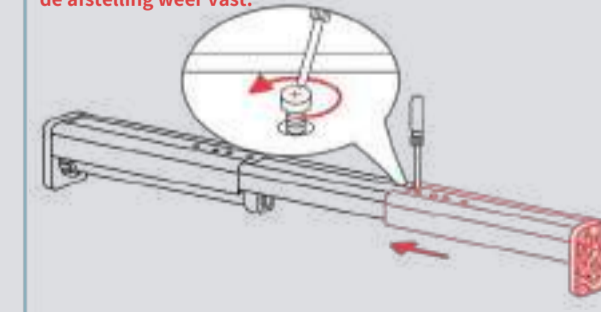
3 Monteer de eindbeugel zonder de schroeven vast te draaien.



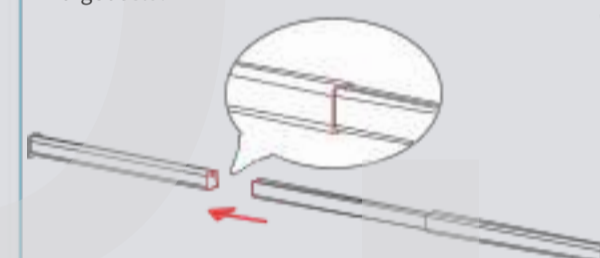
4 Pas de hoofdstrip aan en zorg ervoor dat beide uiteinden 0,5 cm (0,2 inch) binnen het raamkozijn zitten.



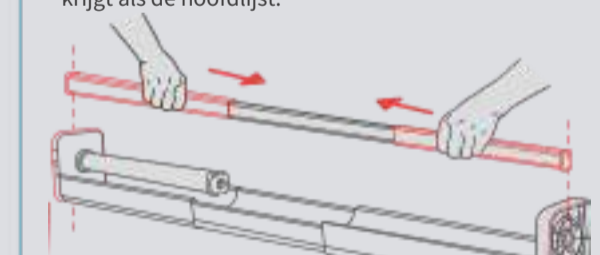
Let op: Om af te stellen, draait u de afstelschroeven op de bovenste rail gedeeltelijk los en draait u ze na het voltooiën van de afstelling weer vast.



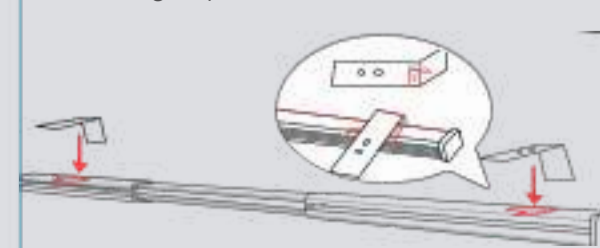
5 Monteer de onderbalk zoals afgebeeld.



6 Pas de onderste balk aan zodat deze dezelfde grootte krijgt als de hoofdlijst.

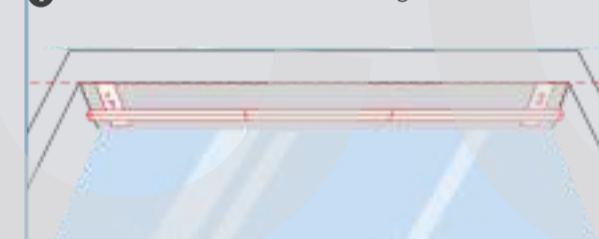


7 Neem de positioneringskaarten en verwijder de beschermfolie. Bevestig de locatiekaarten aan de rode markeringen op de onderste balk.



Bepaal de positie van de montagebeugels.

1 Pas de onderste balk aan zoals afgebeeld.



2 Houd de onderste balk horizontaal en markeer de posities van de montagebeugels.



3 Boor vier gaten die dieper zijn dan 3 cm (1,2 inch). Boormaat: 5,6 tot 6 mm (0,22 tot 0,23 inch)

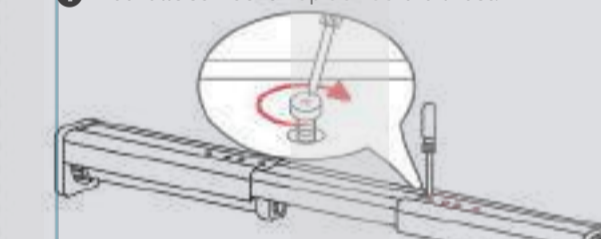


4 Plaats de ankers met een hamer en bevestig de montagebeugels met expansiebouten.



Controleer of de hoofdbalk correct kan worden geïnstalleerd.

1 Draai alle schroeven op de hoofd rail vast.

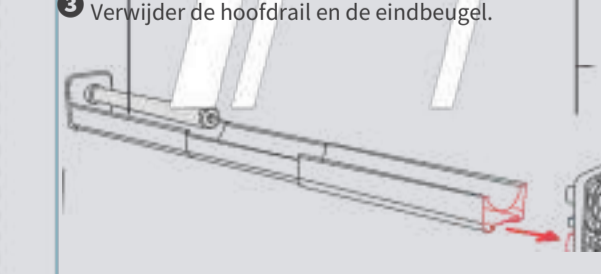


Lijn de hoofd rail uit met de fittingen en controleer of ze passen. Monteer de hoofd stang op de fittingen en controleer of deze waterpas is.

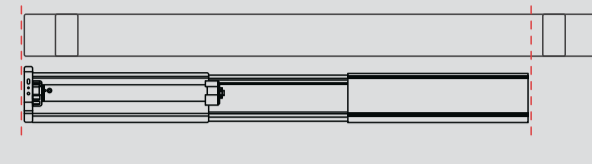


Let op: Een ongelijke boven rail kan de werking van de motor beïnvloeden en het snijproces van de stof verstoren.

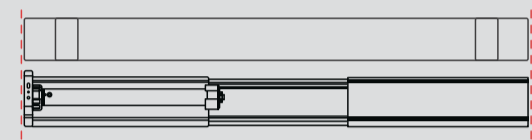
3 Verwijder de hoofd rail en de eind beugel.



Stap 4: Beslis of u de stof wilt knippen.



Knip overtollige stof af wanneer u de bovenbak vervangt.



Sla stap 5 en 6 over als u de grootte van de kopstekbalk nog niet hebt aangepast.

Stap 5: Pas de maat van de stof aan. Voorbereiding

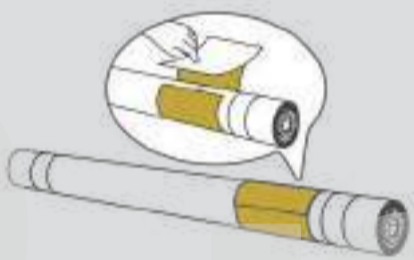


Let op: Laat de etiketten intact.

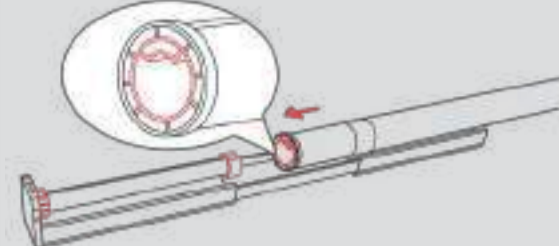
1 Bepaal de snijpositie op de rol stof op basis van de afmetingen van de hoofdteuning.



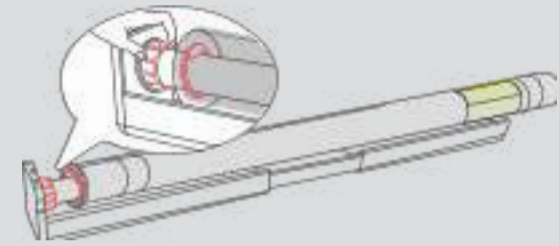
2 Om te voorkomen dat de stof tijdens het knippen wegglijdt, wikkel u de textieltape strak om het snijpunt.



3 Schuif de rol stof over de hoofdteuning totdat deze op zijn plaats zit.



Let op: Pas de gemarkeerde delen zo aan dat de rol stof erin kan worden geplaatst.



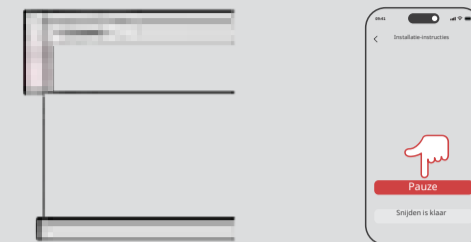
4 Installeer de router en draai de schroeven vast.



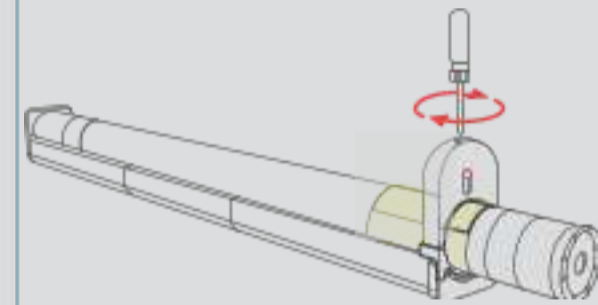
Begin met het knippen van de stof

1 Ga via de app naar de pagina voor het knippen van de stof.

Terwijl u de stof knipt, rolt uw rolgordijn met een constante snelheid op. In geval van nood kunt u op de knop 'Apparaat toevoegen' op het apparaat drukken of op 'Pauzeren' in onze app om het proces te stoppen.



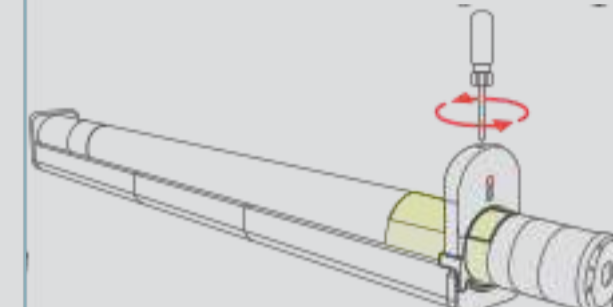
2 Plaats de hoofdlijst zoals afgebeeld. Druk op Start in onze app om de motor te starten. Steek vervolgens een schroevendraaier in de bovenste connector en draai deze met de klok mee.



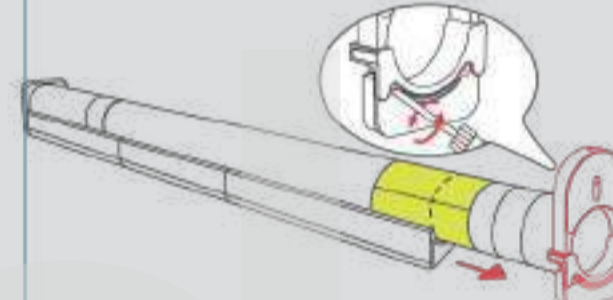
3 Stop met draaien aan de schroevendraaier wanneer u ziet dat de indicator naar het andere uiteinde van het statusdisplay beweegt.



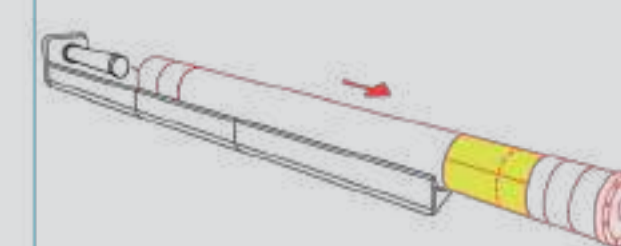
4 Draai de schroevendraaier tegen de klok in totdat het display weer in de oorspronkelijke positie staat.



5 Verwijder het mesje.



6 Verwijder de rol stof.



Let op: Als u de stofmaat opnieuw wilt wijzigen, scan dan de QR-code en bekijk de video.



Stap 6: Pas de gewijzigde maat van de rol stof aan.

1 Verwijder de eindkappen, etiketten en tape (indien aanwezig).

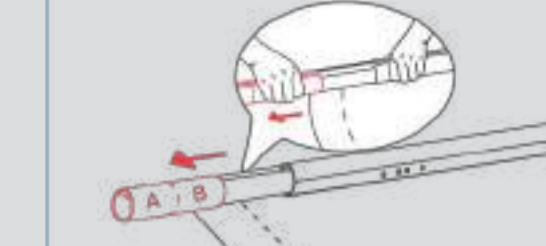


2 Spreid de stof plat en verwijder de tape.



Let op: U kunt de overtollige stof later afknippen.

3 Verwijder de plastic buis.



4 Breek of snijd de pijp langs de sneed. U ontvangt twee stukken pijp. Bewaar het opgegeven B-gedeelte voor later gebruik.



5 Knip de overtollige stof af.



6 Om de stof vast te zetten, trekt u buisdeel B terug.

Let op: Bekijk indien nodig de installatievideo.

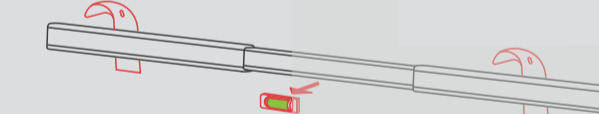


7 Draai de schroeven op de zeefbuis gedeeltelijk los en pas ze aan op de grootte van de stof. Houd de randen van de stof plat tijdens het aanpassen. Draai na het afstellen de schroeven weer vast.

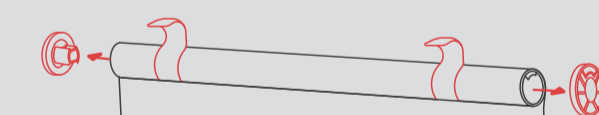


Stap 7: Monteer het apparaat. Plaats de rol stof.

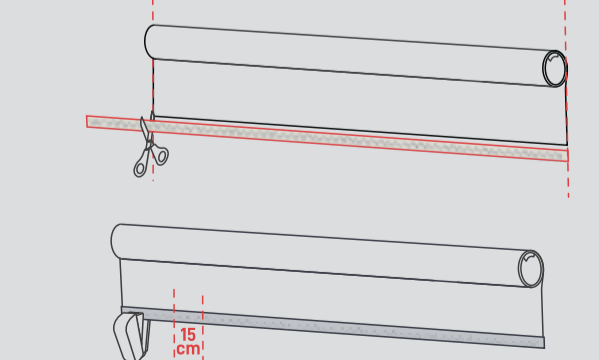
1 Verwijder de positioneringskaartjes en de waterpas (indien aanwezig) van de onderste balk.



2 Verwijder de etiketten en eindkappen.



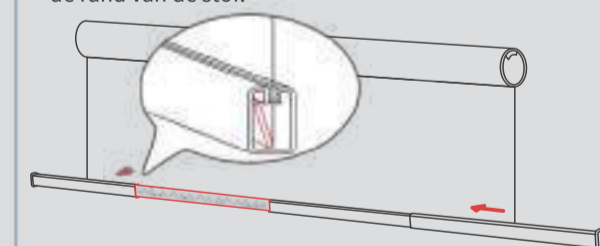
3 Bevestig de plastic tape met behulp van de meegeleverde nietmachine aan de rand van de stof. Let op: knip de tape indien nodig op de juiste maat.



4 Vouw de plastic band omhoog.

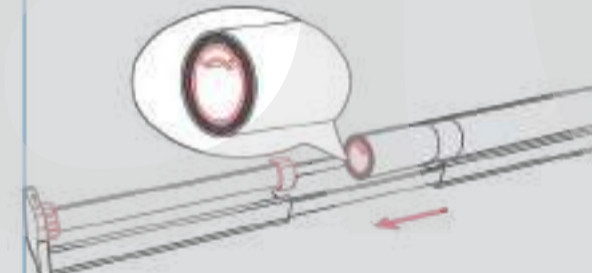


5 Haal de onderste balk uit elkaar en leg de twee stukken op de rand van de stof.



Monteer alle onderdelen.

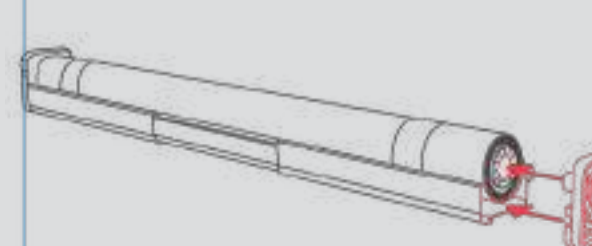
1 Plaats de rol stof op het hoofdspoor.



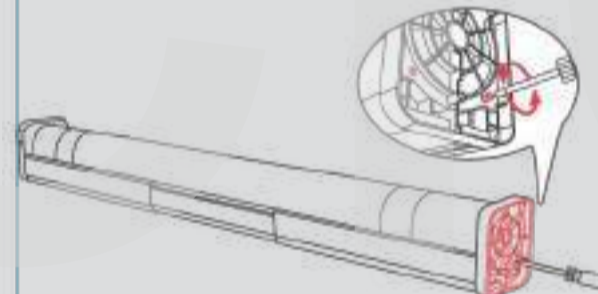
2 Bevestig de eindkap.



3 Plaats de eindbeugel.



4 Verwijder de kap en draai de schroeven op de eindbeugel vast.

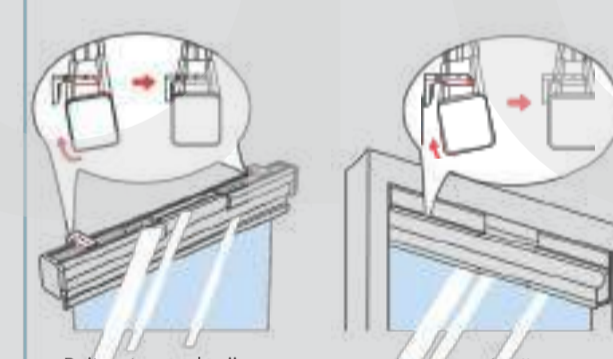


5 Sluit het beugeldeksel.



Stap 8: Bevestig het apparaat aan uw raamkozijn.

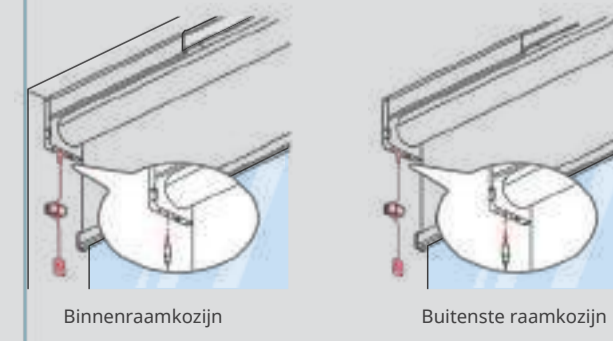
Klem de hoofdstrip vast aan de montagebeugels totdat u een klik hoort.



(Optioneel) Installeer de controller.

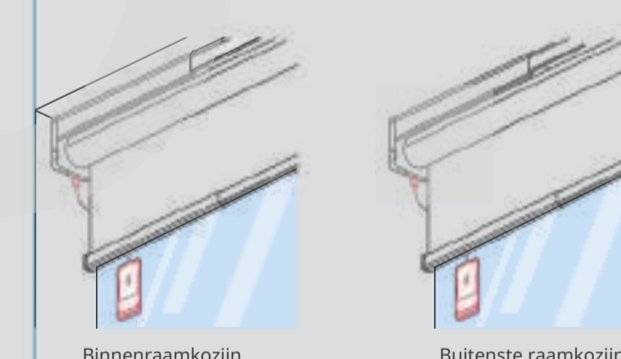
Let op: Nadat de kalibratie is voltooid, kan de controller worden gebruikt.

1 Sluit de controller aan op de rechteronderpoort van uw apparaat.
2 Bevestig de kabelafdekking op een geschikte plaats.
3 Wikkel de kabel van de controller eromheen.



(Optioneel) Installeer een zonnepaneel.

Bevestig het zonnepaneel op glas in direct zonlicht. Sluit de kabel aan op de Type-C-poort aan de onderkant van de hoofdrail. Organiseer uw kabels om interferentie te voorkomen.



Stap 9: Kalibreer uw rolluik

Kalibreer de route voor uw rolluik zoals aangegeven in de app.

Gebruikershandleiding

App besturing
Wij bieden intuïtieve app-bedieningen voor iOS- en Android-systemen, die wekelijks of tweewekelijks worden bijgewerkt op basis van feedback van gebruikers. Voor een betere gebruikerservaring ondersteunen we ook OTA-firmware-updates.

Regels
Zodra de kalibratie is voltooid, drukt u lang op de knop op uw afstandsbediening om uw rolgordijn omhoog of omlaag te bewegen. U kunt uw apparaat ook opladen door het aan te sluiten op een 5V 1A/2A-adaptor via de Type-C-poort op de controller.

Beladen
Het duurt ongeveer 8 uur om de batterij van uw apparaat volledig op te laden. Na volledige oplading kan de batterij tot wel 8 maanden meegaan. U kunt ook het SwitchBot-zonnepaneel kopen om het apparaat op te laden met zonlicht.

1. Opmuw apparaat op te laden, hebt u een 5V 1A-adaptor nodig.
2. De levensduur van de batterij wordt getest onder de volgende omstandigheden: een omgevingstemperatuur van 25°C, een hoogte van 2 meter, een productgewicht van 4 kg en één keer per dag op- en neerrollen. De werkelijke batterijduur kan variëren, afhankelijk van het gebruik.
3. Met slechts 4 uur per dag. In zonlicht dat voor voldoende schaduw kan zorgen, kan ons nieuwe SwitchBot-zonnepaneel voldoende energie genereren om uw SwitchBot-roluik voor altijd van stroom te voorzien.

Fabrieksinstellingen herstellen
Houd de knop Apparaat toevoegen 15 seconden ingedrukt totdat het indicatielampje niet meer knippert maar continu brandt. Laat vervolgens de knop los.
Opnieuw opstarten
Druk kort op de herstartknop met een papierclip en wacht tot het indicatielampje knippert.

LED scherm

LED scherm	Beschrijving:
Knippert snel wit	Het apparaat maakt verbinding met het netwerk.
Knippert langzaam en gelijkmatig wit	De firmware upgrade is bezig.
Langzaam knipperen	Het apparaat wordt opgeladen.

Apparaatinstellingen

Lichtsensor (zonnepaneel)
Door uw jaloeziën aan te sluiten op het SwitchBot-zonnepaneel (apart verkrijgbaar), kunt u automatiseringen instellen op basis van gegevens over de lichtintensiteit. De lichtintensiteitscurve toont de beste zonlichtperiodes, zodat u een automatisch oplaadschema kunt instellen.

vertraging
U kunt een afdelatie instellen en het percentage opgeven dat moet worden geopend of gesloten.

Dienstreging
U kunt maximaal 5 schema's voor uw apparaat instellen en de dag, tijd en het percentage voor het openen of sluiten opgeven.

Firmware-upgrades

Om de gebruikerservaring te verbeteren, brengen we regelmatig firmware-updates uit om nieuwe functies te introduceren en eventuele softwarefouten te verhelpen die tijdens het gebruik kunnen optreden. Wanneer er een nieuwe firmwareversie beschikbaar is, sturen we via onze app een upgrademelding naar uw account. Zorg er bij het upgraden voor dat de batterij van uw product voldoende capaciteit heeft of ingeschakeld blijft. Zorg er ook voor dat uw smartphone zich binnen het bereik bevindt om interferentie te voorkomen.

Veelgestelde vragen

Bezoek onze website of scan de onderstaande QR-code voor meer informatie.

<https://support.switch-bot.com/hc/en-us/categories/22307951443863>



Technische gegevens

Materiaal: aluminiumlegering + ABS-stof
Hoofdleuning: 82 x 72 x 580-800 mm (3,2 x 2,8 x 22,8-31,5 inch)
polystermaat: 82 x 72 x 800-1100 mm (3,2 x 2,8 x 31,5-43,3 inch)
Levensduur batterij: 8 maanden of onbepaald met een zonnepaneel
Maximale belasting: 4 kg (9 lbs) gordijnen (vestigingsplaats)
Voeding: 5V 1A DC Type-C-adaptor, 2600mAh lithiumbatterij
Bedrijfstemperatuur: 0 °C tot 40 °C (32 °F tot 100 °F)
Connectiviteit: Bluetooth Low Energy x 2,8 x 51,1-72,8 inch)

Garantie

Wij garanderen aan de oorspronkelijke eigenaar van het product dat het product vrij is van materiaal- en fabricagefouten. Houd er rekening mee dat deze beperkte garantie het volgende niet dekt:
1. Producten die worden getourneerd nadat de oorspronkelijke beperkte garantieperiode is verstreken.
2. Producten waarbij reparatie of aanpassing is geprobeerd.
3. Producten die zijn blootgesteld aan vallen, extreme temperaturen, water of andere bedrijfsomstandigheden die buiten de productspecificaties vallen.
4. Schade veroorzaakt door natuurrampen (waaronder maar niet beperkt tot blikseminslag, overstroming, tornado, aardbeving of orkaan, enz.).
5. Schade veroorzaakt door verkeerd gebruik, nalatigheid of een ongeval (bijv. brand).
6. Overige schade die niet het gevolg is van fabricagefouten of materiaalfouten in het product.
7. Producten gekocht bij niet-geautoriseerde retailers.
8. Verbruiksartikelen (inclusief maar niet beperkt tot batterijen).
9. Natuurlijke slijtage van het product.

Contact & Ondersteuning

Feedback: Als u vragen of problemen hebt tijdens het gebruik van onze producten, stuur ons dan feedback via onze app op de pagina Profiel > Ondersteuning.

Installatie en probleemoplossing: support.switch-bot.com

Ondersteunings-e-mailadres: support@switch-bot.com